

The requirement of using and maintain

Do not make pressure on output part and box when mounting it ,

It must replace lubrication oil after it runs 400 hours when first using it ,after it , replace lubrication oil per running 4000 hours.

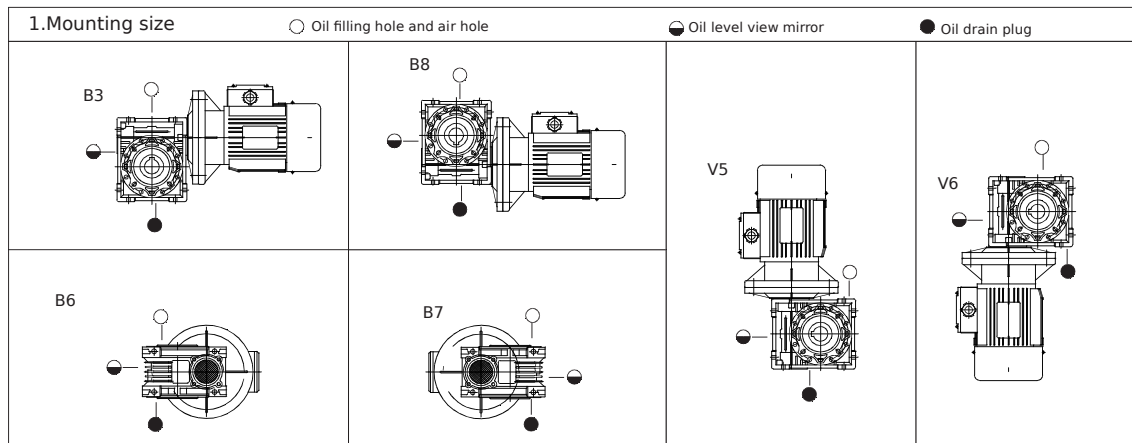
It must keep coaxial degree and vertical degree in just lever when conjoining reducer with other device .

Must keep plenty of oil lubrication in the reducer and check it often.

Must add or replace in time when oil reduce or get bad. (lubrication type see attached table)

It is useful to keep reducer clean so that reducer radiates warmth more efficiently.

Installation type of reducer and the corresponding oil feeding amount and lubrication varieties



2.Õli kogus olenevalt kinnitustüübist. Oil amount to various installation patterns

Types of worm speed reducers	RV25	RV30	RV40	RV50	RV63	RV75	RV90	RV110	RV130	RV150	RV185	
Lubricating oil	B3	0.02	0.04	0.08	0.15	0.3	0.55	1.0	3.0	4.5	7.0	10
	B6.B7								2.5	3.5	5.4	8.0
	B8								2.2	3.3	5.1	7.5
	V5								3.0	4.5	7.0	10
	V6								2.2	3.3	5.1	8.0

