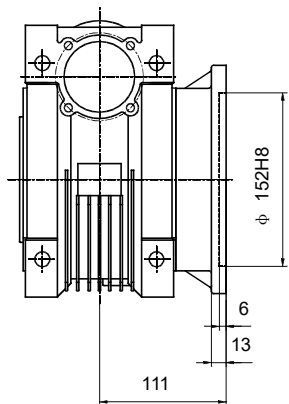
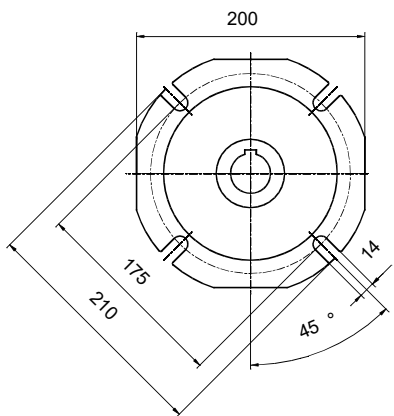
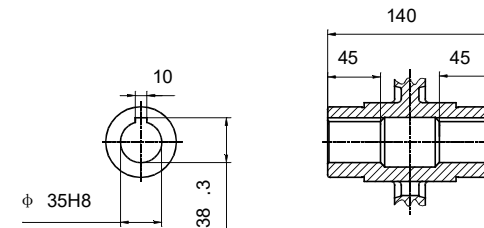
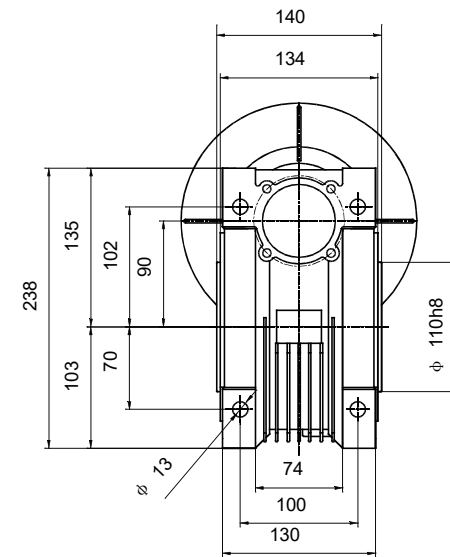
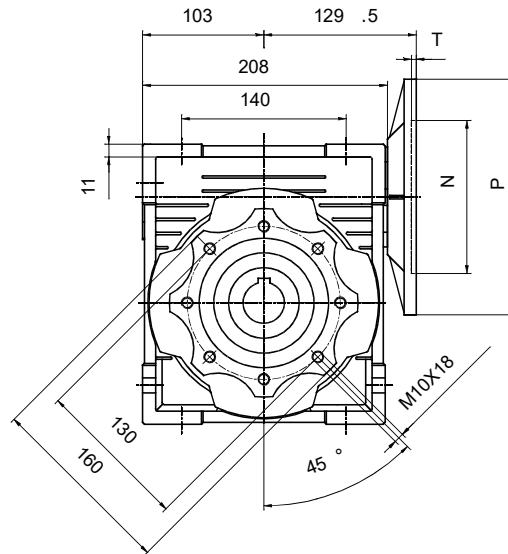
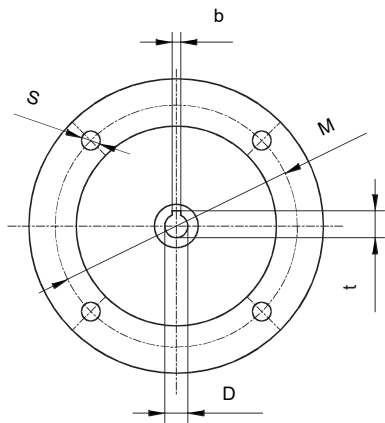




RV90



F

IEC	D _{E8}	b	t	P	M	N	S	T
80B5	19	6	21.8	200	165	130	11	4
90B5	24	8	27.3	200	165	130	11	4
100/112B5	28	8	31.3	250	215	180	13.5	4