

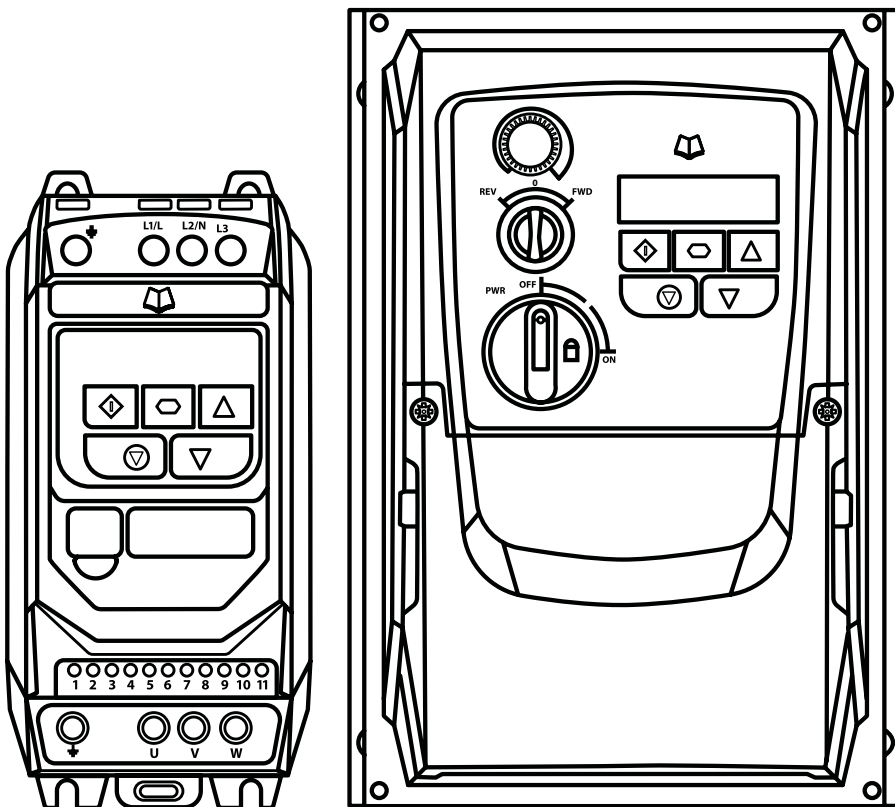
OPTIDRIVE™

Single Phase Output

IP20 & IP66 (NEMA 4X)

0.37 – 1.1kW (0.5 – 1.5HP)

110 – 230V



| | |
|---|-----------|
| Quick Start Up | 1 |
| General Information and Ratings | 2 |
| Mechanical Installation | 3 |
| Power & Control Wiring | 4 |
| Operation | 5 |
| Parameters | 6 |
| Analog and Digital Input Macro Configurations | 7 |
| Modbus RTU Communications | 8 |
| Technical Data | 9 |
| Troubleshooting | 10 |

| | | | |
|--|-----------|---|-----------|
| 1. Quick Start Up | 4 | 6. Parameters | 21 |
| 1.1. Important Safety Information. | 4 | 6.1. Standard Parameters. | 21 |
| 1.2. Quick Start Process. | 5 | 6.2. Extended Parameters. | 22 |
| 1.3. Quick Start Overview. | 6 | 6.3. P-00 Read Only Status Parameters. | 26 |
| 2. General Information and Ratings | 7 | 7. Analog and Digital Input Macro Configurations .. | 28 |
| 2.1. Identifying the Drive by Model Number. | 7 | 7.1. Overview | 28 |
| 2.2. Drive Model Numbers. | 7 | 7.2. Macro Functions Guide Key | 28 |
| 3. Mechanical Installation | 8 | 7.3. Macro Functions – Terminal Mode (P-12 = 0). | 29 |
| 3.1. General | 8 | 7.4. Macro Functions - Keypad Mode (P-12 = 1 or 2) | 30 |
| 3.2. UL Compliant Installation | 8 | 7.5. Macro Functions - Fieldbus Control Mode (P-12 = 3, 4, 7, 8 or 9) | 30 |
| 3.3. Mechanical Dimensions and Mounting – IP20 Open Units ... | 8 | 7.6. Macro Functions - User PI Control Mode (P-12 = 5 or 6) .. | 31 |
| 3.4. Guidelines for Enclosure Mounting – IP20 Units | 9 | 7.7. Fire Mode. | 31 |
| 3.5. Mechanical Dimensions – IP66 (NEMA 4X) Enclosed Units. . | 10 | 7.8. Example Connection Diagrams. | 32 |
| 3.6. Guidelines for mounting (IP66 Units) | 11 | 8. Modbus RTU Communications | 33 |
| 3.7. Gland Plate and Lock Off | 11 | 8.1. Introduction. | 33 |
| 3.8. Removing the Terminal Cover | 12 | 8.2. Modbus RTU Specification | 33 |
| 3.9. Routine Maintenance | 12 | 8.3. RJ45 Connector Configuration | 33 |
| 4. Power & Control Wiring | 13 | 8.4. Modbus Register Map. | 10 |
| 4.1. Connection Diagram. | 13 | 9. Technical Data | 34 |
| 4.2. Protective Earth (PE) Connection. | 14 | 9.1. Environmental. | 34 |
| 4.3. Incoming Power Connection. | 14 | 9.2. Rating Tables | 34 |
| 4.4. Motor Connection | 15 | 9.3. Additional Information for UL Compliance. | 34 |
| 4.5. Suitable Motor Types. | 15 | 9.4. EMC Filter Disconnect | 35 |
| 4.6. Control Terminal Wiring. | 15 | 10. Troubleshooting | 35 |
| 4.7. Using the REV/0/FWD Selector Switch (Switched Version Only) | 16 | 10.1. Fault Code Messages. | 36 |
| 4.8. Control Terminal Connections | 16 | | |
| 4.9. Motor Thermal Overload Protection. | 17 | | |
| 4.10. EMC Compliant Installation. | 17 | | |
| 4.11. Optional Brake Resistor. | 18 | | |
| 5. Operation | 19 | | |
| 5.1. Managing the Keypad | 19 | | |
| 5.2. Operating Displays. | 19 | | |
| 5.3. Changing Parameters. | 19 | | |
| 5.4. Read Only Parameter Access | 20 | | |
| 5.5. Resetting Parameters. | 20 | | |
| 5.6. Resetting a Fault. | 20 | | |

Declaration of Conformity

Invertek Drives Ltd hereby states that the Optidrive ODE-3 product range conforms to the relevant safety provisions of the following council directives:

2014/30/EU (EMC) and 2014/35/EU (LVD)

Designed and manufacture is in accordance with the following harmonised European standards:

| | |
|---------------------------|--|
| EN 61800-5-1: 2007 | Adjustable speed electrical power drive systems. Safety requirements. Electrical, thermal and energy. |
| EN 61800-3: 2004 /A1 2012 | Adjustable speed electrical power drive systems. EMC requirements and specific test methods |
| EN 55011: 2007 | Limits and Methods of measurement of radio disturbance characteristics of industrial, scientific and medical (ISM) radio-frequency equipment (EMC) |
| EN60529: 1992 | Specifications for degrees of protection provided by enclosures |

Electromagnetic Compatibility

All Optidrives are designed with high standards of EMC in mind. All versions suitable for operation on Single Phase 230 volt and Three Phase 400 volt supplies and intended for use within the European Union are fitted with an internal EMC filter. This EMC filter is designed to reduce the conducted emissions back into the mains supply via the power cables for compliance with the above harmonised European standards.

It is the responsibility of the installer to ensure that the equipment or system into which the product is incorporated complies with the EMC legislation of the country of use, and the relevant category. Within the European Union, equipment into which this product is incorporated must comply with the EMC Directive 2004/108/EC. This User Guide provides guidance to ensure that the applicable standards may be achieved.

Copyright Invertek Drives Ltd © 2020

All rights reserved. No part of this User Guide may be reproduced or transmitted in any form or by any means, electrical or mechanical including photocopying, recording or by any information storage or retrieval system without permission in writing from the publisher.

2 Year Warranty

All Invertek Optidrive units carry a 2 year warranty against manufacturing defects from the date of manufacture. The manufacturer accepts no liability for any damage caused during or resulting from transport, receipt of delivery, installation or commissioning. The manufacturer also accepts no liability for damage or consequences resulting from inappropriate, negligent or incorrect installation, incorrect adjustment of the operating parameters of the drive, incorrect matching of the drive to the motor, incorrect installation, unacceptable dust, moisture, corrosive substances, excessive vibration or ambient temperatures outside of the design specification.

The local distributor may offer different terms and conditions at their discretion, and in all cases concerning warranty, the local distributor should be contacted first.





This user guide is the “original instructions” document. All non-English versions are translations of the “original instructions”.

The contents of this User Guide are believed to be correct at the time of printing. In the interest of a commitment to a policy of continuous improvement, the manufacturer reserves the right to change the specification of the product or its performance or the contents of the User Guide without notice.

This User Guide is for use with version 3.04 Firmware

User Guide Revision 2.00

Invertek Drives Ltd adopts a policy of continuous improvement and whilst every effort has been made to provide accurate and up to date information, the information contained in this User Guide should be used for guidance purposes only and does not form the part of any contract.

| | |
|---|--|
|  | When installing the drive on any power supply where the phase-ground voltage may exceed the phase-phase voltage (typically IT supply networks or Marine vessels) it is essential that the internal EMC filter ground and surge protection varistor ground (where fitted) are disconnected. If in doubt, refer to your Sales Partner for further information. |
|  | This manual is intended as a guide for proper installation. Invertek Drives Ltd cannot assume responsibility for the compliance or the non-compliance to any code, national, local or otherwise, for the proper installation of this drive or associated equipment. A hazard of personal injury and/or equipment damage exists if codes are ignored during installation. |
|  | This Optidrive contains high voltage capacitors that take time to discharge after removal of the main supply. Before working on the drive, ensure isolation of the main supply from line inputs. Wait ten (10) minutes for the capacitors to discharge to safe voltage levels. Failure to observe this precaution could result in severe bodily injury or loss of life. |
|  | Only qualified electrical personnel familiar with the construction and operation of this equipment and the hazards involved should install, adjust, operate, or service this equipment. Read and understand this manual and other applicable manuals in their entirety before proceeding. Failure to observe this precaution could result in severe bodily injury or loss of life. |

1. Quick Start Up

1.1. Important Safety Information

Please read the IMPORTANT SAFETY INFORMATION below, and all Warning and Caution information elsewhere.



Danger: Indicates a risk of electric shock, which, if not avoided, could result in damage to the equipment and possible injury or death.

This variable speed drive product (Optidrive) is intended for professional incorporation into complete equipment or systems as part of a fixed installation. If installed incorrectly it may present a safety hazard. The Optidrive uses high voltages and currents, carries a high level of stored electrical energy, and is used to control mechanical plant that may cause injury. Close attention is required to system design and electrical installation to avoid hazards in either normal operation or in the event of equipment malfunction. Only qualified electricians are allowed to install and maintain this product.

System design, installation, commissioning and maintenance must be carried out only by personnel who have the necessary training and experience. They must carefully read this safety information and the instructions in this Guide and follow all information regarding transport, storage, installation and use of the Optidrive, including the specified environmental limitations.

Do not perform any flash test or voltage withstand test on the Optidrive. Any electrical measurements required should be carried out with the Optidrive disconnected.

Electric shock hazard! Disconnect and ISOLATE the Optidrive before attempting any work on it. High voltages are present at the terminals and within the drive for up to 10 minutes after disconnection of the electrical supply. Always ensure by using a suitable multimeter that no voltage is present on any drive power terminals prior to commencing any work.

Where supply to the drive is through a plug and socket connector, do not disconnect until 10 minutes have elapsed after turning off the supply.

Ensure correct earth connections and cable selection as per defined by local legislation or codes. The drive may have a leakage current of greater than 3.5mA; furthermore the earth cable must be sufficient to carry the maximum supply fault current which normally will be limited by the fuses or MCB.

Suitably rated fuses or MCB should be fitted in the mains supply to the drive, according to any local legislation or codes.

Do not carry out any work on the drive control cables whilst power is applied to the drive or to the external control circuits.



Danger: Indicates a potentially hazardous situation other than electrical, which if not avoided, could result in damage to property.

Within the European Union, all machinery in which this product is used must comply with Directive 2006/42/EC, Safety of Machinery. In particular, the machine manufacturer is responsible for providing a main switch and ensuring the electrical equipment complies with EN60204-1.

Whilst every effort is made to ensure the contents of this user guide are applicable to the wide range of applications and installations, it is the responsibility of the installer to ensure compliance with any local codes or regulations relevant to the installation location.

The level of integrity offered by the Optidrive control input functions – for example stop/start, maximum speed, etc. is not sufficient for use in safety-critical applications without independent channels of protection. All applications where malfunction could cause injury or loss of life must be subject to a risk assessment and further protection provided where needed.

The driven motor can start at power up if the enable input signal is present.

The STOP function does not remove potentially lethal high voltages. ISOLATE the drive and wait 10 minutes before starting any work on it. Never carry out any work on the Drive, Motor or Motor cable whilst the input power is still applied.

The Optidrive can be programmed to operate the driven motor at speeds above or below the speed achieved when connecting the motor directly to the mains supply. Obtain confirmation from the manufacturers of the motor and the driven machine about suitability for operation over the intended speed range prior to machine start up.

Do not activate the automatic fault reset function on any systems whereby this may cause a potentially dangerous situation.

IP20 drives must be installed in a pollution degree 2 environment mounted in a cabinet with IP54 or better.

Optidrives are intended for indoor use only.

When mounting the drive, ensure that sufficient cooling is provided. Do not carry out drilling operations with the drive in place, dust and swarf from drilling may lead to damage.

The entry of conductive or flammable foreign bodies should be prevented. Flammable material should not be placed close to the drive.

Relative humidity must be less than 95% (non-condensing).

Ensure that the supply voltage, frequency and no. of phases (1 or 3 phase) correspond to the rating of the Optidrive as delivered.

Never connect the mains power supply to the Output terminals U, V, W.

Do not install any type of automatic switchgear between the drive and the motor.

Wherever control cabling is close to power cabling, maintain a minimum separation of 100 mm and arrange crossings at 90 degrees. Ensure that all terminals are tightened to the appropriate torque setting.

Do not attempt to carry out any repair of the Optidrive. In the case of suspected fault or malfunction, contact your local Invertek Drives Sales Partner for further assistance.

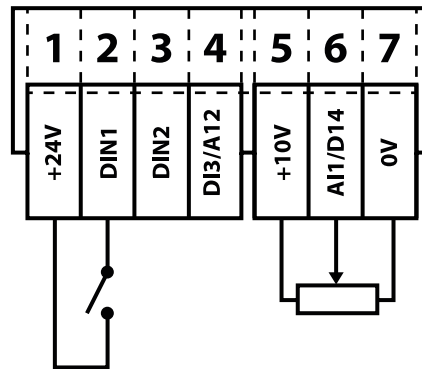
1.2. Quick Start Process

| Step | Action | See section | Page |
|------|---|---|-------------------------|
| 1 | Identify the Enclosure Type, Model Type and ratings of your drive from the model code on the label. In particular - Check the voltage rating suits the incoming supply - Check the output current capacity meets or exceeds the full load current for the intended motor | 2.1. Identifying the Drive by Model Number | 7 |
| 2 | Unpack and check the drive. Notify the supplier and shipper immediately of any damage. | | |
| 3 | Ensure correct ambient and environmental conditions for the drive are met by the proposed mounting location. | 9.1. Environmental | 34 |
| 4 | Install the drive in a suitable cabinet (IP20 Units) ensuring suitable cooling air is available. Mount the drive to the wall or machine (IP66). | 3.1. General 3.3. Mechanical Dimensions and Mounting – IP20 Open Units 3.4. Guidelines for Enclosure Mounting – IP20 Units 3.5. Mechanical Dimensions – IP66 (NEMA 4X) Enclosed Units 3.6. Guidelines for mounting (IP66 Units) | 8 8 9 10 11 |
| 5 | Select the correct power and motor cables according to local wiring regulations or code, noting the maximum permissible sizes | 9.2. Rating Tables | 34 |
| 6 | If the supply type is IT or corner grounded, disconnect the EMC filter before connecting the supply. | 9.4. EMC Filter Disconnect | 35 |
| 7 | Check the supply cable and motor cable for faults or short circuits. | | |
| 8 | Route the cables | | |
| 9 | Check that the intended motor is suitable for use, noting any precautions recommended by the supplier or manufacturer. | | |
| 10 | Check the motor cable length does not exceed the maximum allowed for the drive unit - 100m (328ft) shielded cable maximum - 150m (293ft) unshielded cable maximum - 200m (656ft) shielded cable maximum with optional external output filter - 300m (984ft) unshielded cable maximum with optional external output filter | | |
| 11 | Ensure wiring protection is providing, by installing a suitable circuit breaker or fuses in the incoming supply line | 4.3.2. Fuse / Circuit Breaker Selection 9.2. Rating Tables | 14 34 |
| 12 | Connect the power cables, especially ensuring the protective earth connection is made | 4.1. Connection Diagram 4.2. Protective Earth (PE) Connection 4.3. Incoming Power Connection 4.4. Motor Connection | 13 14 14 15 |
| 13 | Connect the control cables as required for the application | 4.6. Control Terminal Wiring 7. Analog and Digital Input Macro Configurations 7.8. Example Connection Diagrams | 15 28 32 |
| 14 | Thoroughly check the installation and wiring | | |
| 15 | Ensure that all aspects of the installation comply with local codes and regulations relevant to the installation location | | |
| 16 | Commission the drive parameters | 5.1. Managing the Keypad 6. Parameters | 19 21 |

1.3. Quick Start Overview

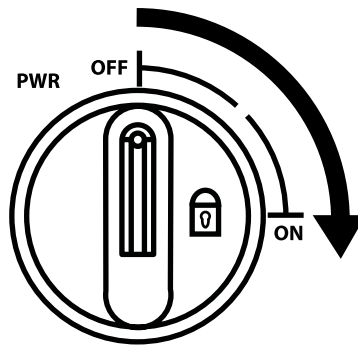
Quick Start – IP20 & IP66 Non Switched

- Connect a Start / Stop switch between control terminals 1 & 2
 - Close the Switch to Start
 - Open to Stop
- Connect a potentiometer (5k – 10kΩ) between terminals 5, 6 and 7 as shown
 - Adjust the potentiometer to vary the speed from P-02 (0Hz default) to P-01 (50 / 60 Hz default)



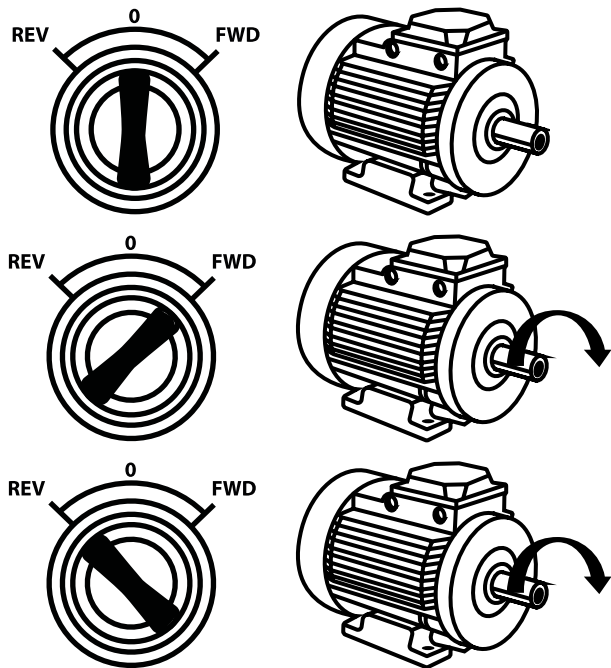
Quick Start – IP66 Switched

Switch the mains power on to the unit using the built in isolator switch on the front panel.

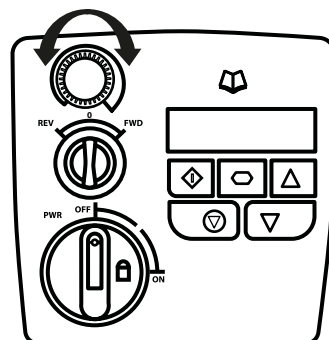


The OFF/REV/FWD will enable the output and control the direction of rotation of the motor.

NOTE: With single phase motors, forward rotation only is possible.



The potentiometer will control the motor shaft rotational speed.

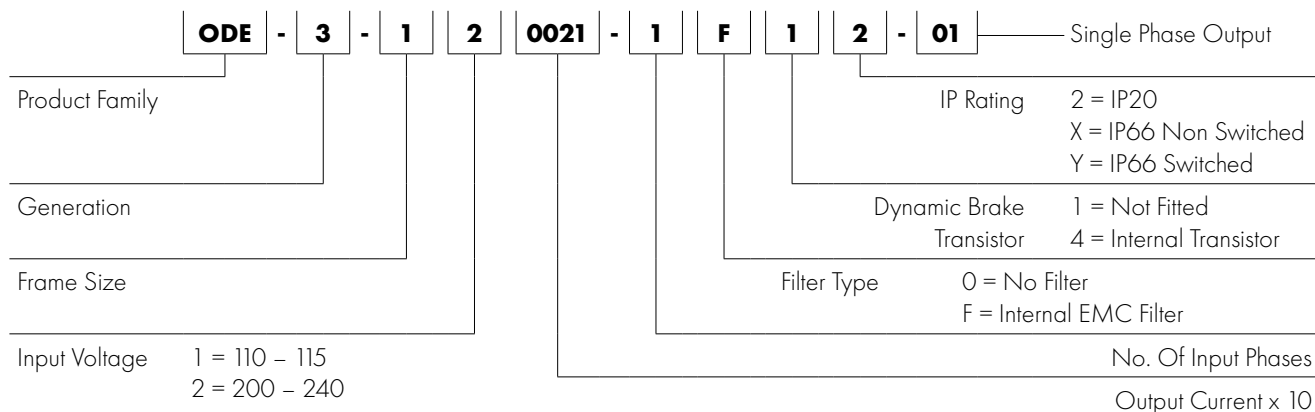


2. General Information and Ratings

This chapter contains information about the Optidrive E3 including how to identify the drive.

2.1. Identifying the Drive by Model Number

Each drive can be identified by its model number, as shown in the table below. The model number is on the shipping label and the drive nameplate. The model number includes the drive and any options.



2.2. Drive Model Numbers

| 110 – 115V + / - 10% - 1Phase Input – 1 Phase 110V Output | | | | | |
|---|---|------|------|--------------------|------------|
| Model Number | | kW | HP | Output Current (A) | Frame Size |
| With Filter | Without Filter | | | | |
| N/A | ODE-3-110070-101#-01 | | 0.5 | 7.0 | 1 |
| N/A | ODE-3-210105-104#-01 | | 0.75 | 10.5 | 2 |
| 200 – 240V + / - 10% - 1Phase Input – 1 Phase Output | | | | | |
| Model Number | | kW | HP | Output Current (A) | Frame Size |
| With Filter | Without Filter | | | | |
| ODE-3-120043-1F1#-01 | ODE-3-120043-101#-01 | 0.37 | 0.5 | 4.3 | 1 |
| ODE-3-120070-1F1#-01 | ODE-3-120070-101#-01 | 0.75 | 1 | 7.0 | 1 |
| ODE-3-220105-1F4#-01 | ODE-3-220105-104#-01 | 1.1 | 1.5 | 10.5 | 2 |
| NOTE | For IP20 units, replace '#' with '2' For IP66 Non Switched Units, replace '#' with 'X' For IP66 Switched Units, replace '#' with 'Y' | | | | |

3. Mechanical Installation

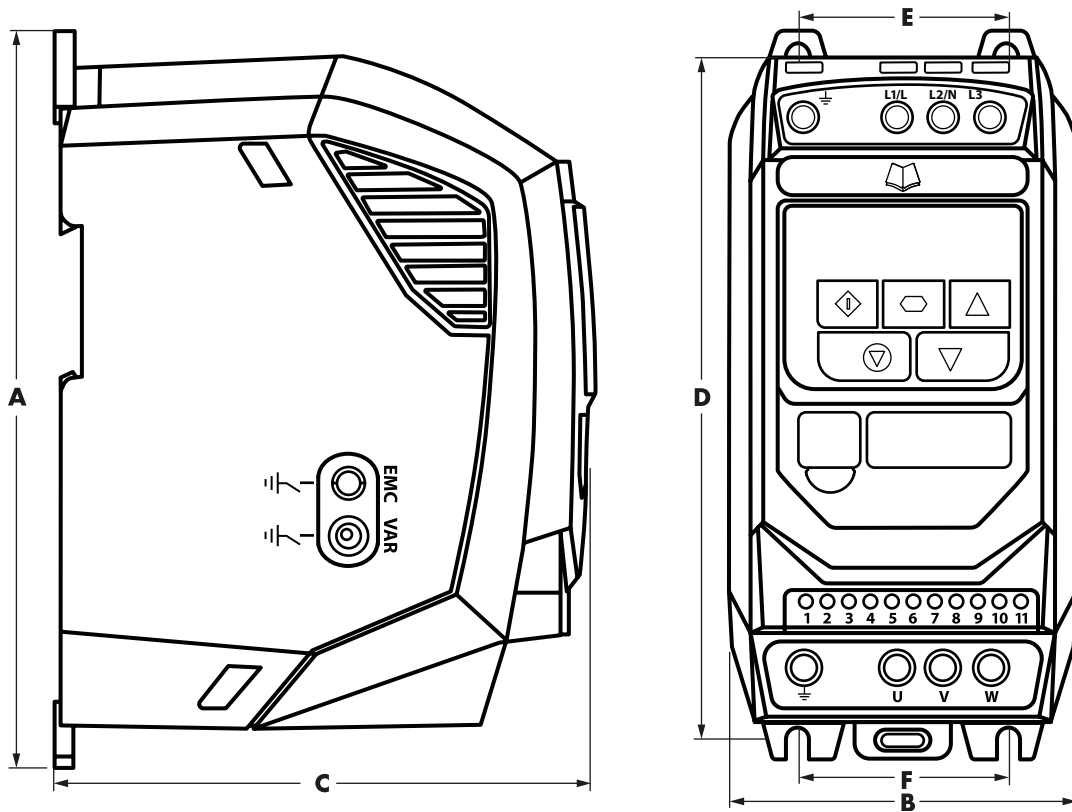
3.1. General

- The Optidrive should be mounted in a vertical position only, on a flat, flame resistant, vibration free mounting using the integral mounting holes or DIN Rail clip (Frame Sizes 1 and 2 only).
- IP20 Optidrives must be installed in a pollution degree 1 or 2 environment only.
- Do not mount flammable material close to the Optidrive.
- Ensure that the minimum cooling air gaps, as detailed in section 3.5. Mechanical Dimensions – IP66 (NEMA 4X) Enclosed Units and 3.7. Gland Plate and Lock Off are left clear.
- Ensure that the ambient temperature range does not exceed the permissible limits for the Optidrive given in section 9.1. Environmental.
- Provide suitable clean, moisture and contaminant free cooling air sufficient to fulfil the cooling requirements of the Optidrive.

3.2. UL Compliant Installation

Refer to section 9.3. Additional Information for UL Compliance on page 34 for Additional Information for UL Compliance.

3.3. Mechanical Dimensions and Mounting – IP20 Open Units



| Drive Size | A | | B | | C | | D | | E | | F | | Weight | |
|------------|-----|------|-----|------|-----|------|-----|------|----|------|----|------|--------|-----|
| | mm | in | mm | in | mm | in | mm | in | mm | in | mm | in | Kg | lb |
| 1 | 173 | 6.81 | 83 | 3.27 | 123 | 4.84 | 162 | 6.38 | 50 | 1.97 | 50 | 1.97 | 1.0 | 2.2 |
| 2 | 221 | 8.70 | 110 | 4.33 | 150 | 5.91 | 209 | 8.23 | 63 | 2.48 | 63 | 2.48 | 1.7 | 3.8 |

| Mounting Bolts | |
|----------------|-------------|
| Frame Size | |
| 1 – 2 | 4 x M5 (#8) |

| Tightening Torques | | |
|--------------------|--------------------|-----------------|
| Frame Size | Control Terminals | Power Terminals |
| 1 – 2 | 0.5 Nm (4.5 lb-in) | 1 Nm (9 lb-in) |

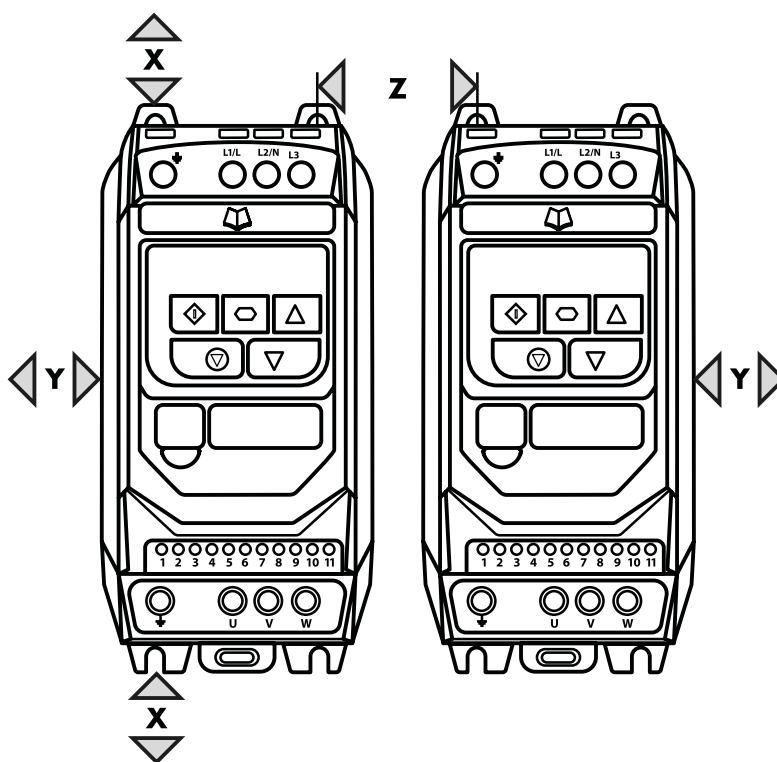




3.4. Guidelines for Enclosure Mounting – IP20 Units

- IP20 drives are suitable for use in pollution degree 1 environments, according to IEC-664-1. For pollution degree 2 or higher environments, drives should be mounted in a suitable control cabinet with sufficient ingress protection to maintain a pollution degree 1 environment around the drive.
- Enclosures should be made from a thermally conductive material.
- Ensure the minimum air gap clearances around the drive as shown below are observed when mounting the drive.
- Where ventilated enclosures are used, there should be venting above the drive and below the drive to ensure good air circulation. Air should be drawn in below the drive and expelled above the drive.
- In any environments where the conditions require it, the enclosure must be designed to protect the Optidrive against ingress of airborne dust, corrosive gases or liquids, conductive contaminants (such as condensation, carbon dust, and metallic particles) and sprays or splashing water from all directions.
- High moisture, salt or chemical content environments should use a suitably sealed (non-vented) enclosure.

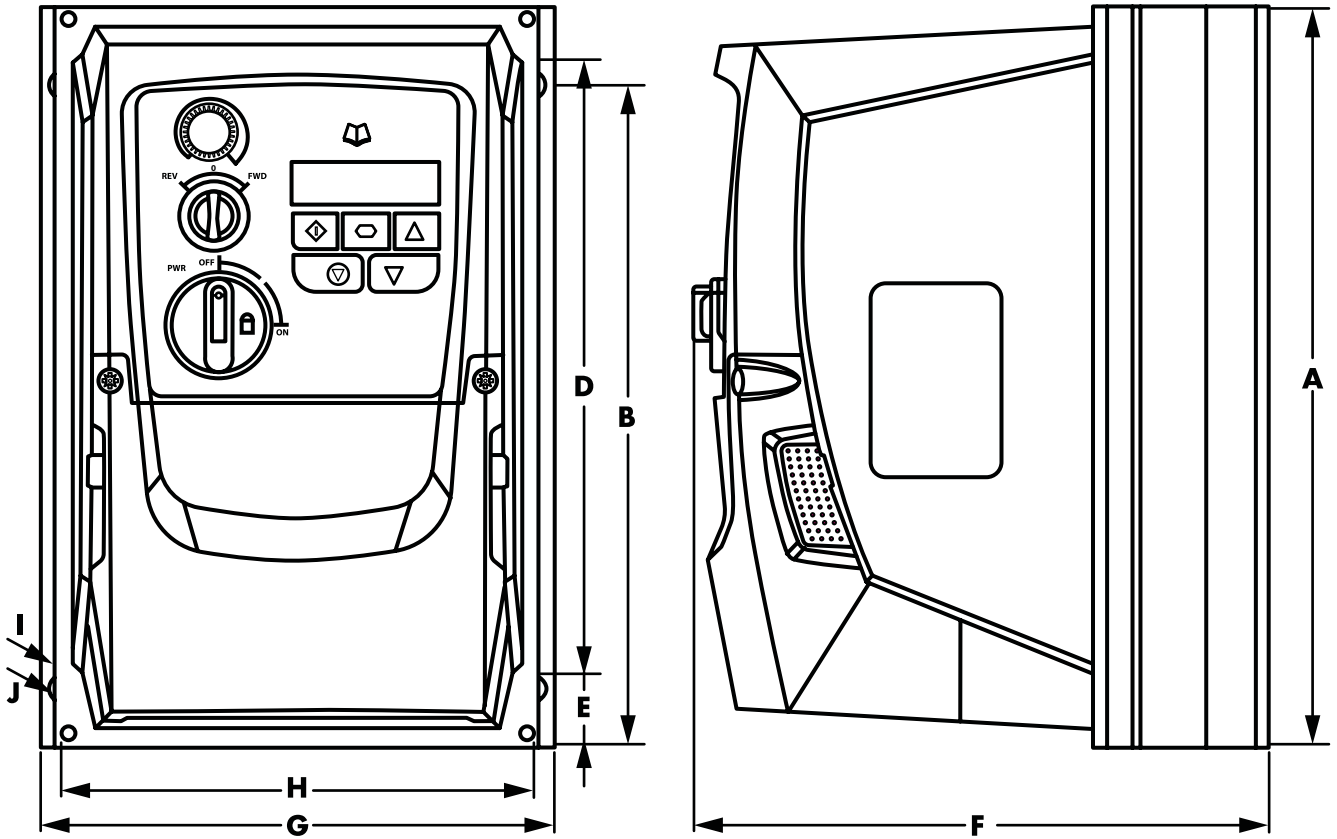
The enclosure design and layout should ensure that the adequate ventilation paths and clearances are left to allow air to circulate through the drive heatsink. Inverter Drives recommend the following minimum sizes for drives mounted in non-ventilated metallic enclosures:



| Drive Size | X Above & Below | | Y Either Side | | Z Between | | Recommended airflow CFM (ft ³ /min) |
|------------|--------------------|------|------------------|------|--------------|------|--|
| | mm | in | mm | in | mm | in | |
| 1 | 50 | 1.97 | 50 | 1.97 | 33 | 1.30 | 11 |
| 2 | 75 | 2.95 | 50 | 1.97 | 46 | 1.81 | 22 |

NOTE Dimension Z assumes that the drives are mounted side-by-side with no clearance.
 Typical drive heat losses are 3% of operating load conditions.
 Above are guidelines only and the operating ambient temperature of the drive **MUST** be maintained at all times.

3.5. Mechanical Dimensions – IP66 (NEMA 4X) Enclosed Units



Mechanical Installation

| Drive Size | A | | B | | D | | E | | F | | G | | H | | I | | J | | Weight | |
|------------|-------|-------|-------|------|-------|------|------|------|-------|------|-------|------|-------|------|-----|------|-----|------|--------|-----|
| | mm | in | mm | in | mm | in | mm | in | mm | in | mm | in | mm | in | mm | in | mm | in | kg | lb |
| 1 | 232.0 | 9.13 | 207.0 | 8.15 | 189.0 | 7.44 | 25.0 | 0.98 | 179.0 | 7.05 | 161.0 | 6.34 | 148.5 | 5.85 | 4.0 | 0.16 | 8.0 | 0.31 | 3.1 | 6.8 |
| 2 | 257.0 | 10.12 | 220.0 | 8.67 | 200.0 | 7.87 | 28.5 | 1.12 | 187.0 | 7.36 | 188.0 | 7.40 | 176.0 | 6.93 | 4.2 | 0.17 | 8.5 | 0.33 | 4.1 | 9.0 |

Mounting Bolts

| Frame Size | Mounting Bolts |
|-----------------|----------------|
| All Frame Sizes | 4 x M4 (#8) |

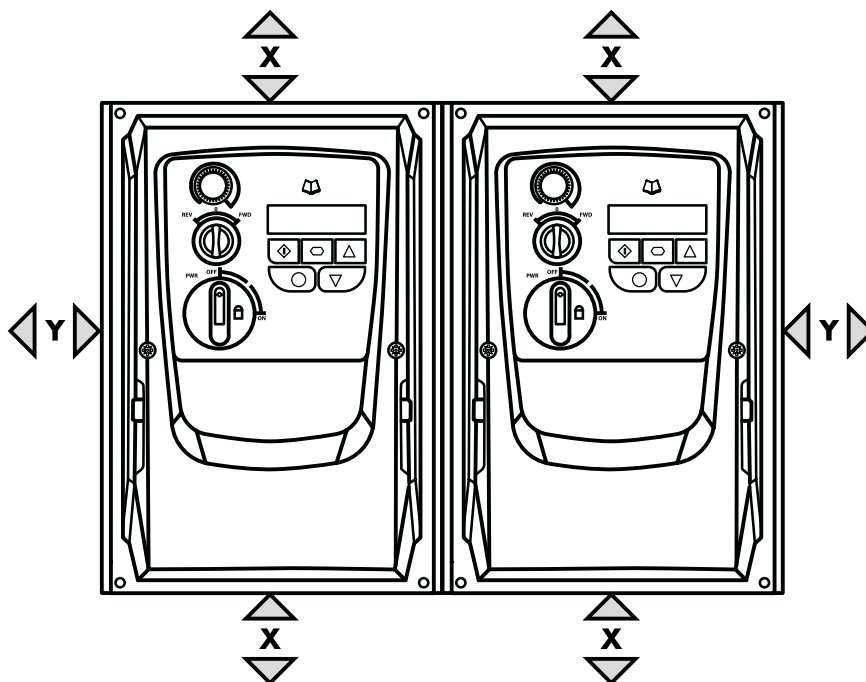
Tightening Torques

| Frame Size | Control Terminals | Power Terminals |
|-----------------|--------------------|-----------------|
| All Frame Sizes | 0.5 Nm (4.5 lb-in) | 1 Nm (9 lb-in) |



3.6. Guidelines for mounting (IP66 Units)

- Before mounting the drive, ensure that the chosen location meets the environmental condition requirements for the drive shown in section 9.1. Environmental.
- The drive must be mounted vertically, on a suitable flat surface.
- The minimum mounting clearances as shown in the table below must be observed.
- The mounting site and chosen mountings should be sufficient to support the weight of the drives.
- Using the drive as a template, or the dimensions shown above, mark the locations required for drilling.
- Suitable cable glands to maintain the ingress protection of the drive are required. Gland holes for power and motor cables are pre-moulded into the drive enclosure, recommended gland sizes are shown above. Gland holes for control cables may be cut as required.



| Drive Size | X Above & Below | | Y Either Side | | Drive Size | Cable Gland Sizes | | |
|------------|-----------------|------|---------------|------|------------|-------------------|---------------|----------------|
| | mm | in | mm | in | | Power Cable | Motor Cable | Control Cables |
| 1 | 200 | 7.87 | 10 | 0.39 | 1 | M20 (PG 13.5) | M20 (PG 13.5) | M20 (PG 13.5) |
| 2 | 200 | 7.87 | 10 | 0.39 | 2 | M25 (PG 21) | M25 (PG 21) | M20 (PG 13.5) |

NOTE Typical drive heat losses are approximately 3% of operating load conditions. Above are guidelines only and the operating ambient temperature of the drive MUST be maintained at all times.

3.7. Gland Plate and Lock Off

The use of a suitable gland system is required to maintain the appropriate IP / NEMA rating. The gland plate has pre moulded cable entry holes for power and motor connections suitable for use with glands as shown in the following table. Where additional holes are required, these can be drilled to suitable size. Please take care when drilling to avoid leaving any particles within the product.

Cable Gland recommended Hole Sizes & types:

| Drive Size | Power & Motor Cables | | | Control & Signal Cables | | |
|------------|----------------------|-------------|----------------|-------------------------|-------------|----------------|
| | Power Cable | Motor Cable | Control Cables | Power Cable | Motor Cable | Control Cables |
| Size 1 | 22mm | PG13.5 | M20 | 22mm | PG13.5 | M20 |
| Size 2 & 3 | 27mm | PG21 | M25 | 22mm | PG13.5 | M20 |

Flexible Conduit Hole Sizes:

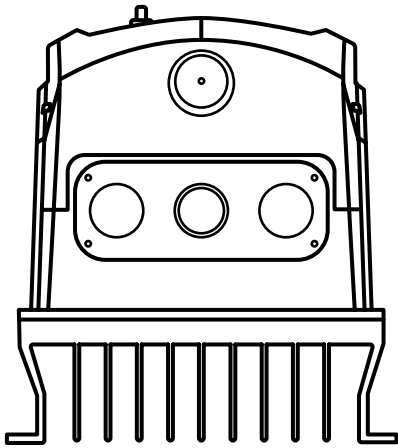
| Drive Size | Drill Size | Trade Size | Metric |
|------------|------------|------------|--------|
| Size 1 | 28mm | ¾ in | 21 |
| Size 2 & 3 | 35mm | 1 in | 27 |

- UL rated ingress protection ("Type") is only met when cables are installed using a UL recognized bushing or fitting for a flexible-conduit system which meets the required level of protection ("Type").
- For conduit installations the conduit entry holes require standard opening to the required sizes specified per the NEC.
- Not intended for installation using rigid conduit system.

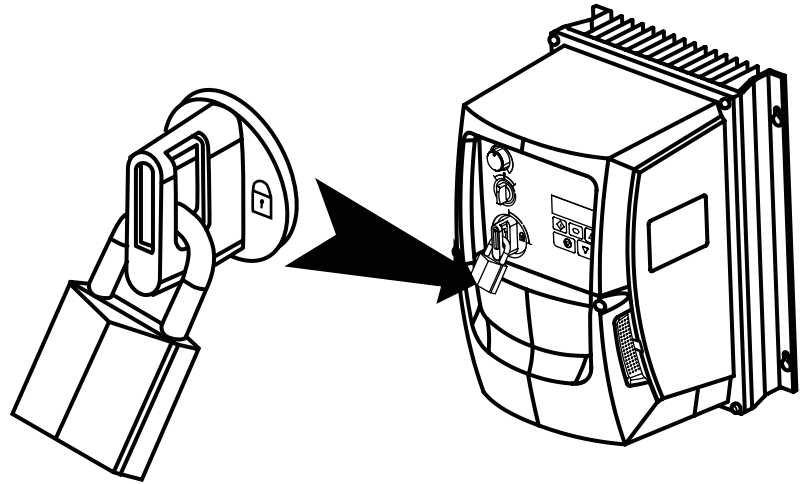
Power Isolator Lock Off

On the switched models the main power isolator switch can be locked in the 'Off' position using a 20mm standard shackle padlock (not supplied).

IP66 / NEMA 4X Gland Plate



IP66 / NEMA 4X Unit Lock Off

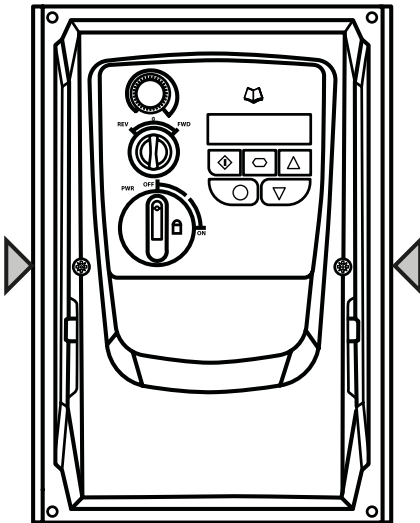


3.8. Removing the Terminal Cover

To access the connection terminals, the drive front cover needs to be removed as shown.

IP66 / NEMA 4X Units

Removing the 2 screws on the front of the product allows access to the connection terminals, as shown below.



3.9. Routine Maintenance

The drive should be included within the scheduled maintenance program so that the installation maintains a suitable operating environment, this should include:

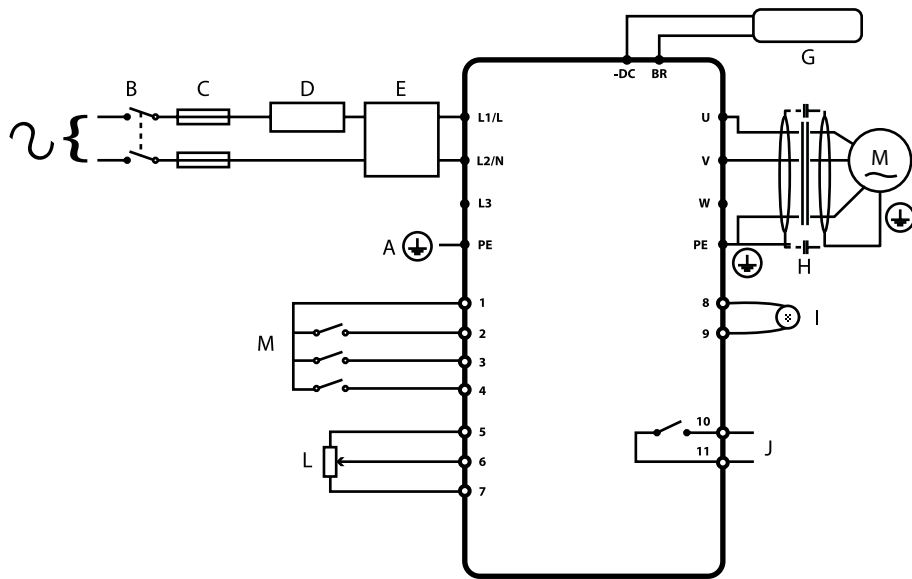
- Ambient temperature is at or below that set out in section 9.1. Environmental.
- Heat sink fans freely rotating and dust free.
- The Enclosure in which the drive is installed should be free from dust and condensation; furthermore ventilation fans and air filters should be checked for correct air flow.

Checks should also be made on all electrical connections, ensuring screw terminals are correctly torqued; and that power cables have no signs of heat damage.

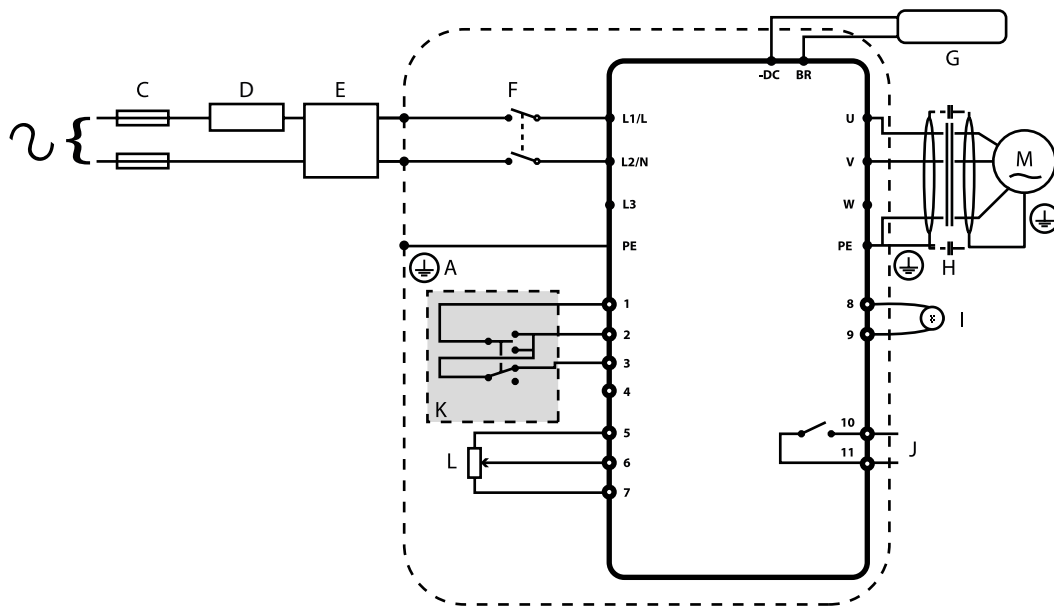
4. Power & Control Wiring

4.1. Connection Diagram

4.1.1. IP20 & IP66 (NEMA 4X) Non-Switched Units



4.1.2. IP66 (NEMA 4X) Switched Units



| | Key | Sec. | Page |
|---|---|-------|------|
| A | Protective Earth (PE) Connection | 4.2 | 14 |
| B | Incoming Power Connection | 4.3 | 14 |
| C | Fuse / Circuit Breaker Selection | 4.3.2 | 14 |
| D | Optional Input Choke | 4.3.3 | 15 |
| E | Optional External EMC Filter | 4.10 | 17 |
| F | Internal Disconnect / Isolator | 4.3 | 14 |
| G | Optional Brake Resistor | 4.11 | 18 |
| H | Motor Connection | | |
| I | Analog Output | 4.8.1 | 16 |
| J | Relay Output | 4.8.2 | 17 |
| K | Using the REV/0/FWD Selector Switch (Switched Version Only) | 4.7 | 16 |
| L | Analog Inputs | 4.8.3 | 17 |
| M | Digital Inputs | 4.8.4 | 17 |

4.2. Protective Earth (PE) Connection

Grounding Guidelines

The ground terminal of each Optidrive should be individually connected DIRECTLY to the site ground bus bar (through the filter if installed). Optidrive ground connections should not loop from one drive to another, or to, or from any other equipment. Ground loop impedance must conform to local industrial safety regulations. To meet UL regulations, UL approved ring crimp terminals should be used for all ground wiring connections.

The drive Safety Ground must be connected to system ground. Ground impedance must conform to the requirements of national and local industrial safety regulations and/or electrical codes. The integrity of all ground connections should be checked periodically.

Protective Earth Conductor

The Cross sectional area of the PE Conductor must be at least equal to that of the incoming supply conductor.

Safety Ground

This is the safety ground for the drive that is required by code. One of these points must be connected to adjacent building steel (girder, joist), a floor ground rod, or bus bar. Grounding points must comply with national and local industrial safety regulations and/or electrical codes.

Motor Ground

The motor ground must be connected to one of the ground terminals on the drive.

Ground Fault Monitoring

As with all inverters, a leakage current to earth can exist. The Optidrive is designed to produce the minimum possible leakage current whilst complying with worldwide standards. The level of current is affected by motor cable length and type, the effective switching frequency, the earth connections used and the type of RFI filter installed. If an ELCB (Earth Leakage Circuit Breaker) is to be used, the following conditions apply:

- A Type B Device must be used.
- The device must be suitable for protecting equipment with a DC component in the leakage current.
- Individual ELCBs should be used for each Optidrive.

Shield Termination (Cable Screen)

The safety ground terminal provides a grounding point for the motor cable shield. The motor cable shield connected to this terminal (drive end) should also be connected to the motor frame (motor end). Use a shield terminating or EMI clamp to connect the shield to the safety ground terminal.

4.3. Incoming Power Connection

4.3.1. Cable Selection

- The mains power cables should be connected to L1/L, L2/N.
- For compliance with CE and C Tick EMC requirements, refer to section 4.10. EMC Compliant Installation on page 17.
- A fixed installation is required according to IEC61800-5-1 with a suitable disconnecting device installed between the Optidrive and the AC Power Source. The disconnecting device must conform to the local safety code / regulations (e.g. within Europe, EN60204-1, Safety of machinery).
- The cables should be dimensioned according to any local codes or regulations. Maximum dimensions are given in section 9.2. Rating Tables.

4.3.2. Fuse / Circuit Breaker Selection

- Suitable fuses to provide wiring protection of the input power cable should be installed in the incoming supply line, according to the data in section 9.2. Rating Tables. The fuses must comply with any local codes or regulations in place. In general, type gG (IEC 60269) or UL type J fuses are suitable; however in some cases type aR fuses may be required. The operating time of the fuses must be below 0.5 seconds.
- Where allowed by local regulations, suitably dimensioned type B MCB circuit breakers of equivalent rating may be utilised in place of fuses, providing that the clearing capacity is sufficient for the installation.
- The maximum permissible short circuit current at the Optidrive Power terminals as defined in IEC60439-1 is 100kA.

4.3.3. Optional Input Choke

- An optional Input Choke is recommended to be installed in the supply line for drives where any of the following conditions occur:
 - The incoming supply impedance is low or the fault level / short circuit current is high.
 - The supply is prone to dips or brown outs.
 - The power supply to the drive is via a busbar and brush gear system (typically overhead Cranes).
- In all other installations, an input choke is recommended to ensure protection of the drive against power supply faults. Part numbers are shown in the table.

| Supply | Frame Size | AC Input Inductor |
|---------------------------|------------|-------------------|
| 110 & 230 Volt 1 Phase | 1 | OPT-2-L1016-20 |
| | 2 | OPT-2-L1025-20 |

4.4. Motor Connection

- The drive inherently produces fast switching of the output voltage (PWM) to the motor compared to the mains supply. For motors which have been wound for operation with a variable speed drive then there is no preventative measures required, however if the quality of insulation is unknown then the motor manufacturer should be consulted and preventative measures may be required.
- The motor should be connected to the Optidrive U, and V terminals using a suitable 2 or 3 core cable. Where a 2 core cable is utilised, with the shield operating as an earth conductor, the shield must have a cross sectional area at least equal to the phase conductors when they are made from the same material. Where a 3 core cable is utilised, the earth conductor must be of at least equal cross sectional area and manufactured from the same material as the phase conductors.
- The motor earth must be connected to one of the Optidrive earth terminals.

4.5. Suitable Motor Types

Optidrive E3 Single Phase Output is intended for use with the following motor types:

- PSC (Permanent Split Capacitor)
- Shaded Pole

The motor should be suitable for operation with a PWM inverter. If in doubt, consult the motor manufacturer for guidance - additional filtering may be required to prevent damage to the motor.

4.6. Control Terminal Wiring

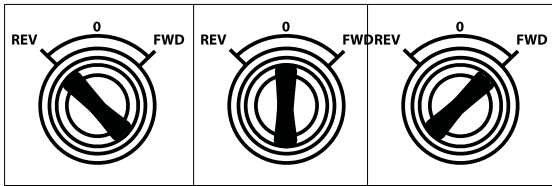
- All analog signal cables should be suitably shielded. Twisted pair cables are recommended.
- Power and Control Signal cables should be routed separately where possible, and must not be routed parallel to each other.
- Signal levels of different voltages e.g. 24 Volt DC and 110 Volt AC, should not be routed in the same cable.
- Maximum control terminal tightening torque is 0.5Nm.
- Control Cable entry conductor size: 0.05 – 2.5mm² / 30 – 12 AWG.

4.7. Using the REV/0/FWD Selector Switch (Switched Version Only)

By adjusting the parameter settings the Optidrive can be configured for multiple applications.

This could typically be for Hand/Off/Auto applications (also known as Local/Remote) for HVAC and pumping industries.

NOTE Forward / Reverse operation of single phase motors is not possible.



| Switch Position | | | Parameters to Set | | Notes |
|----------------------|------|---------------------|-------------------|------|--|
| | | | P-12 | P-15 | |
| Run (Pot) | STOP | Run (Pot) | 0 | 0 | Factory Default Configuration Run Forward only with speed controlled from the Local POT |
| Run (Preset Speed 1) | STOP | Run (Pot) | 0 | 1 | Run forward with speed controlled from the local POT or preset speed |
| Run (Analog Input 2) | STOP | Run (Pot) | 0 | 4 | Run Forward with speed controlled from the Local POT or 2nd analog input |
| Enable | STOP | Enable | 3, 4 | 0 | Control from Modbus RTU |
| Run (Preset Speed 1) | STOP | Enable (Modbus RTU) | 3, 4 | 5 | Local / Remote function with Modbus RTU speed reference or preset speed |
| Run (Preset Speed 1) | STOP | Run in PI Control | 5, 6 | 0 | Selectable PI control or preset speed |
| Run (Pot) | STOP | Run in PI Control | 5, 6 | 0 | Selectable PI control or Pot speed control |
| Enable | STOP | Enable | 7, 8 | 0 | Control from CAN interface |
| Run (Preset Speed 1) | STOP | Enable (Modbus RTU) | 7, 8 | 5 | Local / Remote function with CAN speed reference or preset speed |

4.8. Control Terminal Connections

| Default Connections | Control Terminal | Signal | Description | |
|---------------------|------------------|----------------------------------|---|--------------|
| | 1 | +24Vdc User Output | +24Vdc user output, 100mA. Do not connect an external voltage source to this terminal. | |
| | 2 | Digital Input 1 | Positive logic | |
| | 3 | Digital Input 2 | "Logic 1" input voltage range: 8V ... 30V DC "Logic 0" input voltage range: 0V ... 4V DC | |
| | 4 | Digital Input 3 / Analog Input 2 | Digital: 8 to 30V Analog: 0 to 10V, 0 to 20mA or 4 to 20mA | |
| | 5 | +10V User Output | +10V, 10mA, 1kΩ minimum | |
| | 6 | Analog Input 1 / Digital Input 4 | Analog: 0 to 10V, 0 to 20mA or 4 to 20mA Digital: 8 to 30V | |
| | 7 | 0V | 0 Volt Common, internally connected to terminal 9 | |
| | 8 | Analog Output / Digital Output | Analog: 0 to 10V, Digital: 0 to 24V | 20mA maximum |
| | 9 | 0V | 0 Volt Common, internally connected to terminal 7 | |
| | 10 | Relay Common | | |
| | 11 | Relay NO Contact | Contact 250Vac, 6A / 30Vdc, 5A | |

4.8.1. Analog Output

The analog output function may be configured using parameter P-25, which is described in section 6.2. Extended Parameters on page 22.

The output has two operating modes, dependent on the parameter selection:

- Analog Mode
 - The output is a 0 – 10 volt DC signal, 20mA max load current.
- Digital Mode
 - The output is 24 volt DC, 20mA max load current.

4.8.2. Relay Output

The relay output function may be configured using parameter P-18, which is described in section 6.2. Extended Parameters on page 22.

4.8.3. Analog Inputs

Two analog inputs are available, which may also be used as Digital Inputs if required. The signal formats are selected by parameters as follows:

- Analog Input 1 Format Selection Parameter P-16.
- Analog Input 2 Format Selection Parameter P-47.

These parameters are described more fully in section 6.2. Extended Parameters on page 22.

The function of the analog input, e.g. for speed reference or PID feedback for example is defined by parameters P-15. The function of these parameters and available options is described in section 7. Analog and Digital Input Macro Configurations on page 28.

4.8.4. Digital Inputs

Up to four digital inputs are available. The function of the inputs is defined by parameters P-12 and P-15, which are explained in section 7. Analog and Digital Input Macro Configurations on page 28.

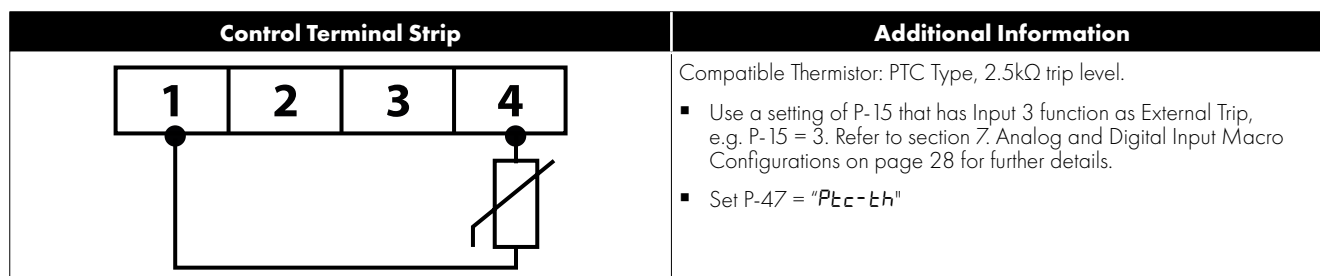
4.9. Motor Thermal Overload Protection

4.9.1. Internal Thermal Overload Protection

The drive has an in-built motor thermal overload function; this is in the form of an "I.t-trP" trip after delivering >100% of the value set in P-08 for a sustained period of time (e.g. 150% for 60 seconds).

4.9.2. Motor Thermistor Connection

Where a motor thermistor is to be used, it should be connected as follows:



4.10. EMC Compliant Installation

| Category | Supply Cable Type | Motor Cable Type | Control Cables | Maximum Permissible Motor Cable Length |
|-----------------|-------------------------|-------------------------|-----------------------|--|
| C1 ⁶ | Shielded ¹ | Shielded ^{1,5} | | 1M / 5M ⁷ |
| C2 | Shielded ² | Shielded ^{1,5} | Shielded ⁴ | 5M / 25M ⁷ |
| C3 | Unshielded ³ | Shielded ² | | 25M / 100M ⁷ |

¹ A screened (shielded) cable suitable for fixed installation with the relevant mains voltage in use. Braided or twisted type screened cable where the screen covers at least 85% of the cable surface area, designed with low impedance to HF signals. Installation of a standard cable within a suitable steel or copper tube is also acceptable.

² A cable suitable for fixed installation with relevant mains voltage with a concentric protection wire. Installation of a standard cable within a suitable steel or copper tube is also acceptable.

³ A cable suitable for fixed installation with relevant mains voltage. A shielded type cable is not necessary.

⁴ A shielded cable with low impedance shield. Twisted pair cable is recommended for analog signals.

⁵ The cable screen should be terminated at the motor end using an EMC type gland allowing connection to the motor body through the largest possible surface area. Where drives are mounted in a steel control panel enclosure, the cable screen may be terminated directly to the control panel using a suitable EMC clamp or gland, as close to the drive as possible. For IP66 drives, connect the motor cable screen to the internal ground clamp.

⁶ Compliance with category C1 conducted emissions only is achieved. For compliance with category C1 radiated emissions, additional measures may be required, contact your Sales Partner for further assistance.

⁷ Permissible cable length with additional external EMC filter.

4.11. Optional Brake Resistor

Optidrive E3 Frame Size 2 and above units have a built in Brake Transistor. This allows an external resistor to be connected to the drive to provide improved braking torque in applications that require this.

The brake resistor should be connected to the “+” and “BR” terminals as shown.



The voltage level at these terminals may exceed 400VDC.

Stored charge may be present after disconnecting the mains power.


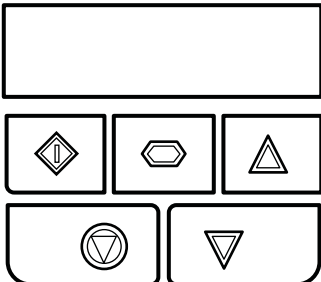




Allow a minimum of 10 minutes discharge after power off before attempting any connection to these terminals.

Suitable resistors and guidance on selection can be obtained from your Invertek Sales Partner.

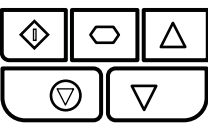
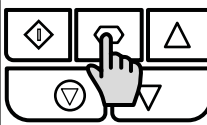
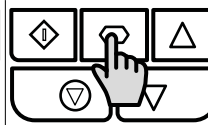
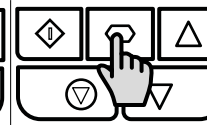
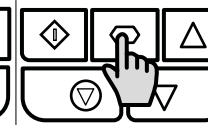
5. Operation

5.1. Managing the Keypad

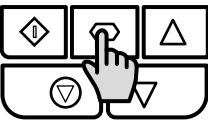
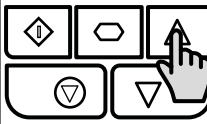
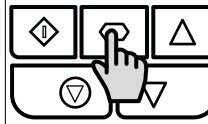
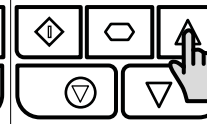
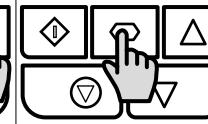
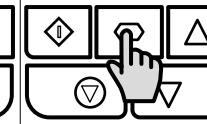
The drive is configured and its operation monitored via the keypad and display.

| | | | |
|---|--------------|--|---|
|  | NAVIGATE | Used to display real-time information, to access and exit parameter edit mode and to store parameter changes. |  |
|  | UP | Used to increase speed in real-time mode or to increase parameter values in parameter edit mode. | |
|  | DOWN | Used to decrease speed in real-time mode or to decrease parameter values in parameter edit mode. | |
|  | RESET / STOP | Used to reset a tripped drive. When in Keypad mode is used to Stop a running drive. | |
|  | START | When in keypad mode, used to Start a stopped drive or to reverse the direction of rotation if bi-directional keypad mode is enabled. | |


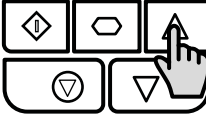

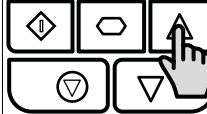


5.2. Operating Displays

| | | | | |
|---|---|---|---|--|
| StoP | H 50.0 | A 2.3 | P 1.50 | 1500 |
|  |  |  |  |  |
| Drive Stopped / Disabled | Drive is enabled / running, display shows the output frequency (Hz) | Press the Navigate key for < 1 second. The display will show the motor current (Amps) | Press the Navigate key for < 1 second. The display will show the motor power (kW) | If P-10 > 0, pressing the Navigate key for < 1 second will display the motor speed (RPM) |

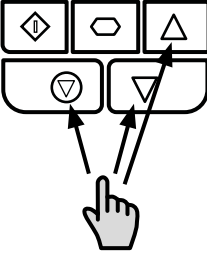
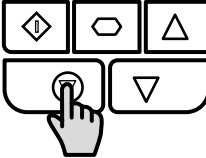
5.3. Changing Parameters

| | | | | | |
|---|---|---|---|--|---|
| StoP | P-01 | P-08 | 10 | P-08 | P-08 |
|  |  |  |  |  |  |
| Press and hold the Navigate key > 2 seconds | Use the up and down keys to select the required parameter | Press the Navigate key for < 1 second | Adjust the value using the Up and Down keys | Press for < 1 second to return to the parameter menu | Press for > 2 seconds to return to the operating display |

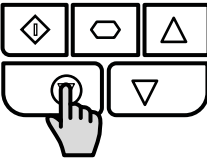
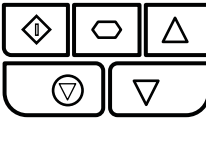
5.4. Read Only Parameter Access

| | | | | | |
|---|---|---|--|---|---|
| StoP | P-00 | P00-01 | P00-08 | 330 | StoP |
|  |  |  |  |  |  |
| Press and hold the Navigate key > 2 seconds | Use the up and down keys to select P-00 | Press the Navigate key for < 1 second | Use the up and down keys to select the required Read Only parameter | Press the Navigate key for < 1 second to display the value | Press and hold the Navigate key > 2 seconds to return to the operating display |

5.5. Resetting Parameters

| | |
|---|---|
| P-dEF | StoP |
|  |  |
| To reset parameter values to their factory default settings, press and hold Up, Down and Stop buttons for > 2 seconds. The display will show "P-dEF" | Press the Stop key. The display will show "StoP" |

5.6. Resetting a Fault

| | |
|---|---|
| 0-1 | StoP |
|  |  |
| Press the Stop key. The display will show "StoP" | |

6. Parameters

6.1. Standard Parameters

| Par. | Description | Minimum | Maximum | Default | Units |
|---|---|---|---|------------------------|-----------------|
| P-01 | Maximum Frequency / Speed Limit | P-02 | 500.0 | 50.0 (60.0) | Hz / RPM |
| | Maximum output frequency or motor speed limit – Hz or RPM. If P-10 >0, the value entered / displayed is in RPM. | | | | |
| P-02 | Minimum Frequency / Speed Limit | 0.0 | P-01 | 35.0 | Hz / RPM |
| | Minimum speed limit – Hz or RPM. If P-10 >0, the value entered / displayed is in RPM. | | | | |
| P-03 | Acceleration Ramp Time | 0.00 | 600.0 | 5.0 | s |
| | Acceleration ramp time from zero Hz / RPM to base frequency (P-09) in seconds. | | | | |
| P-04 | Deceleration Ramp Time | 0.00 | 600.0 | 5.0 | s |
| | Deceleration ramp time from base frequency (P-09) to standstill in seconds. When set to 0.00, the value of P-24 is used. | | | | |
| P-05 | Stopping Mode / Mains Loss Response | 0 | 3 | 0 | - |
| | Selects the stopping mode of the drive, and the behaviour in response to a loss of mains power supply during operation. | | | | |
| | Setting | On Disable | On Mains Loss | | |
| | 0 | Ramp to Stop (P-04) | Ride Through (Recover energy from load to maintain operation) | | |
| 1 | Coast | Coast | | | |
| 2 | Ramp to Stop (P-04) | Fast Ramp to Stop (P-24), Coast if P-24 = 0 | | | |
| P-06 | Reserved | - | - | - | - |
| P-07 | Motor Rated Voltage | 0 | 150 / 250 | 115 / 230 | V |
| | This parameter should be set to the rated (nameplate) voltage of the motor (Volts). | | | | |
| P-08 | Motor Rated Current | Drive Rating Dependent | | | A |
| | This parameter should be set to the rated (nameplate) current of the motor. | | | | |
| P-09 | Motor Rated Frequency | 25 | 120 | 50 (60) | Hz |
| | This parameter should be set to the rated (nameplate) frequency of the motor. | | | | |
| P-10 | Motor Rated Speed | 0 | 7200 | 0 | RPM |
| | This parameter can optionally be set to the rated (nameplate) RPM of the motor. When set to the default value of zero, all speed related parameters are displayed in Hz and the slip compensation (where motor speed is maintained at a constant value regardless of applied load) for the motor is disabled. Entering the value from the motor nameplate allows the Optidrive to display motor speed in RPM. All speed related parameters, such as Minimum and Maximum Speed, Preset Speeds etc. will also be displayed in RPM. | | | | |
| | NOTE If P-09 value is changed, P-10 value is reset to 0. | | | | |
| P-11 | Start Boost Voltage | 0.0 | 100.0 | 3.0 | % |
| | This parameter sets the initial voltage applied to the motor following a start command. The inverter applied the voltage set in this parameter at the frequency set in P-32 initially, and then ramps to the motor rated voltage set in P-09 over the time period set in P-33. Excessive voltage boost levels may result in increased motor current and temperature, and can result in the drive tripping during starting. An explanation of the motor starting, and procedure for optimising the boost voltage is described in section 6.4. Single Phase Motor - Boost Starting cycle. | | | | |
| P-12 | Primary Command Source | 0 | 9 | 0 | - |
| | 0: Terminal Control. The drive responds directly to signals applied to the control terminals. | | | | |
| | 1: Uni-directional Keypad Control. The drive can be controlled in the forward direction only using the internal keypad, or an external remote Keypad. | | | | |
| | 2: Bi-directional Keypad Control. The drive can be controlled in the forward and reverse directions using the internal keypad, or an external remote Keypad. Pressing the keypad START button toggles between forward and reverse. | | | | |
| | 3: Modbus Network Control. Control via Modbus RTU (RS485) using the internal Accel / Decel ramps. | | | | |
| | 4: Modbus Network Control. Control via Modbus RTU (RS485) interface with Accel / Decel ramps updated via Modbus. | | | | |
| | 5: PI Control. User PI control with external feedback signal. | | | | |
| | 6: PI Analog Summation Control. PI control with external feedback signal and summation with analog input 1. | | | | |
| | 7: CAN Control. Control via CAN (RS485) using the internal Accel / Decel ramps. | | | | |
| | 8: CAN Control. Control via CAN (RS485) interface with Accel / Decel ramps updated via CAN. | | | | |
| 9: Slave Mode. Control via a connected Invertek drive in Master Mode. Slave drive address must be > 1. | | | | | |
| NOTE When P-12 = 1, 2, 3, 4, 7, 8 or 9, an enable signal must still be provided at the control terminals, digital input 1. | | | | | |

| Par. | Description | Minimum | Maximum | Default | Units |
|------|--|---------|---------|---------|-------|
| P-13 | Reserved | - | - | - | - |
| P-14 | Extended Menu Access code | 0 | 65535 | 0 | - |
| | Enables access to Extended and Advanced Parameter Groups. This parameter must be set to the value programmed in P-37 (default: 101) to view and adjust Extended Parameters and value of P-37 + 100 to view and adjust Advanced Parameters. The code may be changed by the user in P-37 if desired. | | | | |

6.2. Extended Parameters

| Par. | Description | Minimum | Maximum | Default | Units |
|------|---|-----------|---------|---------|----------|
| P-15 | Digital Input Function Select | 0 | 17 | 0 | - |
| | Defines the function of the digital inputs depending on the control mode setting in P-12. See section 7. Analog and Digital Input Macro Configurations for more information. | | | | |
| P-16 | Analog Input 1 Signal Format | See Below | | U0-10 | - |
| | <p>U 0-10 = Uni-polar 0 to 10 Volt Signal. The drive will remain at minimum speed (P-02) if the analog reference after scaling and offset are applied is $\leq 0.0\%$. 100% signal means the output frequency / speed will be the value set in P-01.</p> <p>A 0-20 = 0 to 20mA Signal.</p> <p>E 4-20 = 4 to 20mA Signal, the Optidrive will trip and show the fault code 4-20F if the signal level falls below 3mA.</p> <p>r 4-20 = 4 to 20mA Signal, the Optidrive will run at Preset Speed 1 (P-20) if the signal level falls below 3mA.</p> <p>E 20-4 = 20 to 4mA Signal, the Optidrive will trip and show the fault code 4-20F if the signal level falls below 3mA.</p> <p>r 20-4 = 20 to 4mA Signal, the Optidrive will run at Preset Speed 1 (P-20) if the signal level falls below 3mA.</p> <p>U 10-0 = 10 to 0 Volt Signal (Uni-polar). The drive will operate at Maximum Frequency / Speed if the analog reference after scaling and offset are applied is $\leq 0.0\%$.</p> | | | | |
| P-17 | Maximum Effective Switching Frequency | 4 | 32 | 8 | kHz |
| | Sets maximum effective switching frequency of the drive. If "rEd" is displayed when the parameter is viewed, the switching frequency has been reduced to the level in P00-32 due to excessive drive heatsink temperature. | | | | |
| P-18 | Output Relay Function Select | 0 | 9 | 1 | - |
| | <p>Selects the function assigned to the relay output. The relay has two output terminals, Logic 1 indicates the relay is active, and therefore terminals 10 and 11 will be connected.</p> <p>0: Drive Enabled (Running). Logic 1 when the motor is enabled.</p> <p>1: Drive Healthy. Logic 1 when power is applied to the drive and no fault exists.</p> <p>2: At Target Frequency (Speed). Logic 1 when the output frequency matches the setpoint frequency.</p> <p>3: Drive Tripped. Logic 1 when the drive is in a fault condition.</p> <p>4: Output Frequency \geq Limit. Logic 1 when the output frequency exceeds the adjustable limit set in P-19.</p> <p>5: Output Current \geq Limit. Logic 1 when the motor current exceeds the adjustable limit set in P-19.</p> <p>6: Output Frequency $<$ Limit. Logic 1 when the output frequency is below the adjustable limit set in P-19.</p> <p>7: Output Current $<$ Limit. Logic 1 when the motor current is below the adjustable limit set in P-19.</p> <p>8: Analog Input 2 $>$ Limit. Logic 1 when the signal applied to analog input 2 exceeds the adjustable limit set in P-19.</p> <p>9: Drive Ready to Run. Logic 1 when the drive is ready to run, no trip present.</p> | | | | |
| P-19 | Relay Threshold Level | 0.0 | 200.0 | 100.0 | % |
| | Adjustable threshold level used in conjunction with settings 4 to 8 of P-18. | | | | |
| P-20 | Preset Frequency / Speed 1 | 0.00 | P-01 | 5.0 | Hz / RPM |
| P-21 | Preset Frequency / Speed 2 | 0.00 | P-01 | 25.0 | Hz / RPM |
| P-22 | Preset Frequency / Speed 3 | 0.00 | P-01 | 40.0 | Hz / RPM |
| P-23 | Preset Frequency / Speed 4 | 0.00 | P-01 | P-09 | Hz / RPM |
| | <p>Preset Speeds / Frequencies selected by digital inputs depending on the setting of P-15.</p> <p>If P-10 = 0, the values are entered as Hz. If P-10 > 0, the values are entered as RPM.</p> <p>NOTE Changing the value of P-09 will reset all values to factory default settings.</p> | | | | |
| P-24 | 2nd Ramp Time (Fast Stop) | 0.00 | 600.0 | 0.00 | s |
| | <p>This parameter allows a 2nd ramp time to be programmed into the drive.</p> <p>This ramp time is automatically selected in the case of a mains power loss if P-05 = 2 or 3. When set to 0.00, the drive will coast to stop.</p> <p>When using a setting of P-15 that provides a "Fast Stop" function, this ramp time is also used.</p> | | | | |

| Par. | Description | Minimum | Maximum | Default | Units |
|--|---|------------|-------------|---------------|-----------------|
| P-25 | Analog Output Function Select | 0 | 10 | 8 | - |
| | Digital Output Mode. Logic 1 = +24V DC 0: Drive Enabled (Running). Logic 1 when the Optidrive is enabled (Running). 1: Drive Healthy. Logic 1 When no Fault condition exists on the drive. 2: At Target Frequency (Speed). Logic 1 when the output frequency matches the setpoint frequency. 3: Drive Tripped. Logic 1 when the drive is in a fault condition. 4: Output Frequency >= Limit. Logic 1 when the output frequency exceeds the adjustable limit set in P-19. 5: Output Current >= Limit. Logic 1 when the motor current exceeds the adjustable limit set in P-19. 6: Output Frequency < Limit. Logic 1 when the output frequency is below the adjustable limit set in P-19. 7: Output Current < Limit. Logic 1 when the motor current is below the adjustable limit set in P-19. Analog Output Mode 8: Output Frequency (Motor Speed). 0 to P-01, resolution 0.1Hz. 9: Output (Motor) Current. 0 to 200% of P-08, resolution 0.1A. 10: Output Power. 0 – 200% of drive rated power. 11: Load Current. 0 – 200% of P-08, resolution 0.1A. | | | | |
| P-26 | Skip frequency hysteresis band | 0.0 | P-01 | 0.0 | Hz / RPM |
| P-27 | Skip Frequency Centre Point | 0.0 | P-01 | 0.0 | Hz / RPM |
| <p>The Skip Frequency function is used to avoid the Optidrive operating at a certain output frequency, for example at a frequency which causes mechanical resonance in a particular machine. Parameter P-27 defines the centre point of the skip frequency band, and is used in conjunction with P-26. The Optidrive output frequency will ramp through the defined band at the rates set in P-03 and P-04 respectively, and will not hold any output frequency within the defined band. If the frequency reference applied to the drive is within the band, the Optidrive output frequency will remain at the upper or lower limit of the band.</p> | | | | | |
| P-28 | V/F Characteristic Adjustment Voltage | 0 | P-07 | 0 | V |
| P-29 | V/F Characteristic Adjustment Voltage | 0.0 | P-09 | 0.0 | Hz |
| <p>This parameter in conjunction with P-28 sets a frequency point at which the voltage set in P-29 is applied to the motor. Care must be taken to avoid overheating and damaging the motor when using this feature.</p> | | | | | |
| P-30 | Start Mode, Automatic Restart, Fire Mode Operation | | | | |
| | Index 1: Start Mode & Automatic Restart | N/A | N/A | Edge-r | - |
| | <p>Selects whether the drive should start automatically if the enable input is present and latched during power on. Also configures the Automatic Restart function.</p> <p>Edge-r: Following Power on or reset, the drive will not start if Digital Input 1 remains closed. The Input must be closed after a power on or reset to start the drive.</p> <p>Auto-D: Following a Power On or Reset, the drive will automatically start if Digital Input 1 is closed.</p> <p>Auto-1 To Auto-5: Following a trip, the drive will make up to 5 attempts to restart at 20 second intervals. The numbers of restart attempts are counted, and if the drive fails to start on the final attempt, the drive will trip with a fault, and will require the user to manually reset the fault. The drive must be powered down to reset the counter.</p> | | | | |
| | Index 2: Fire Mode Input Logic | 0 | 1 | 0 | - |
| | <p>Defines the operating logic when a setting of P-15 is used which includes Fire Mode, e.g. settings 15, 16 & 17.</p> <p>0: Normally Closed (NC) Input. Fire Mode active if input is open. 1: Normally Open (NO) Input. Fire Mode active if input is closed.</p> | | | | |
| Index 3: Fire Mode Input Type | 0 | 1 | 0 | - | |
| <p>Defines the input type when a setting of P-15 is used which includes Fire Mode, e.g. settings 15, 16 & 17.</p> <p>0: Maintained Input. The drive will remain in Fire Mode, only as long the fire mode input signal remains (Normally Open or Normally Closed operation is supported depending on Index 2 setting). 1: Momentary Input. Fire Mode is activated by a momentary signal on the input. Normally Open or Normally Closed operation is supported depending on Index 2 setting. The drive will remain in Fire Mode until disabled or powered off.</p> | | | | | |

| Par. | Description | Minimum | Maximum | Default | Units |
|------|---|------------------|---------|---------|-------|
| P-31 | Keypad Start Mode Select | 0 | 7 | 1 | - |
| | <p>This parameter is active only when operating in Keypad Control Mode (P-12 = 1 or 2) or Modbus Mode (P-12 = 3 or 4). When settings 0, 1, 4 or 5 are used, the Keypad Start and Stop keys are active, and control terminals 1 and 2 must be linked together. Settings 2, 3, 6 and 7 allow the drive to be started from the control terminals directly, and the keypad Start and Stop keys are ignored.</p> <p>0: Minimum Speed, Keypad Start 1: Previous Speed, Keypad Start 2: Minimum Speed, Terminal Enable 3: Previous Speed, Terminal Enable 4: Current Speed, Keypad Start 5: Preset Speed 4, Keypad Start 6: Current Speed, Terminal Start 7: Preset Speed 4, Terminal Start</p> | | | | |
| P-32 | Starting Boost Frequency | 0.0 | P-09 | P-09 | Hz |
| | Sets the frequency used during the starting boost phase of operation refer to section 6.4 for further information. | | | | |
| P-33 | Boost Period Duration | 0.0 | 150 | 5.0 | s |
| | Time for which the start-up boost period is applied. During this period, the output frequency is set to P-32 and the voltage increases linearly from P-11 to P-07. Setting P-33 to zero disables boost. See section 6.4 for additional information. | | | | |
| P-34 | Brake Chopper Enable (Not Size 1) | 0 | 4 | 0 | - |
| | <p>0: Disabled 1: Enabled With Software Protection. Enables the internal brake chopper with software protection for a 200W, 100R resistor. 2: Enabled Without Software Protection. Enables the internal brake chopper without software protection. An external thermal protection device should be fitted. 3: Enabled With Software Protection. As setting 1, however the Brake Chopper is only enabled during a change of the frequency setpoint, and is disabled during constant speed operation. 4: Enabled Without Software Protection. As setting 2, however the Brake Chopper is only enabled during a change of the frequency setpoint, and is disabled during constant speed operation.</p> | | | | |
| P-35 | Analog Input 1 Scaling / Slave Speed Scaling | 0.0 | 2000.0 | 100.0 | % |
| | <p>Analog Input 1 Scaling. The analog input signal level is multiplied by this factor, e.g. if P-16 is set for a 0 – 10V signal, and the scaling factor is set to 200.0%, a 5 volt input will result in the drive running at maximum frequency / speed (P-01). Slave Speed Scaling. When operating in Slave Mode (P-12 = 9), the operating speed of the drive will be the Master speed multiplied by this factor, limited by the minimum and maximum speeds.</p> | | | | |
| P-36 | Serial Communications Configuration | See Below | | | |
| | Index 1: Address | 0 | 63 | 1 | - |
| | Index 2: Baud Rate | 9.6 | 9.6 | 115.2 | kbps |
| | Index 3: Communication loss protection | 0 | 3000 | † 3000 | ms |
| | This parameter has three sub settings used to configure the Modbus RTU Serial Communications. The Sub Parameters are: | | | | |
| | 1st Index: Drive Address: Range: 0 – 63, default: 1. | | | | |
| | 2nd Index: Baud Rate & Network type: Selects the baud rate and network type for the internal RS485 communication port. For Modbus RTU: Baud rates 9.6, 19.2, 38.4, 57.6, 115.2 kbps are available. For CAN: Baud rates 125, 250, 500 & 1000 kbps are available. | | | | |
| | 3rd Index: Watchdog Timeout: Defines the time for which the drive will operate without receiving a valid command telegram to Register 1 (Drive Control Word) after the drive has been enabled. Setting 0 disables the Watchdog timer. Setting a value of 30, 100, 1000, or 3000 defines the time limit in milliseconds for operation. A 't' suffix selects trip on loss of communication. An 'r' suffix means that the drive will coast stop (output immediately disabled) but will not trip. | | | | |
| P-37 | Access Code Definition | 0 | 9999 | 101 | - |
| | Defines the access code which must be entered in P-14 to access parameters above P-14. | | | | |
| P-38 | Parameter Access Lock | 0 | 1 | 0 | - |
| | <p>0: Unlocked. All parameters can be accessed and changed. 1: Locked. Parameter values can be displayed, but cannot be changed except P-38.</p> | | | | |
| P-39 | Analog Input 1 Offset | -500.0 | 500.0 | 0.0 | % |
| | <p>Sets an offset, as a percentage of the full scale range of the input, which is applied to the analog input signal. This parameter operates in conjunction with P-35, and the resultant value can be displayed in P00-01. The resultant value is defined as a percentage, according to the following: $P00-01 = (\text{Applied Signal Level}(\%) - P-39) \times P-35$.</p> | | | | |

| Par. | Description | Minimum | Maximum | Default | Units |
|---|--|--------------|---------------|--------------|--------------|
| P-40 | Index 1: Display Scaling Factor | 0.000 | 16.000 | 0.000 | - |
| | Index 2: Display Scaling Source | 0 | 3 | 0 | - |
| Allows the user to program the Optidrive to display an alternative output unit scaled from either output frequency (Hz), Motor Speed (RPM) or the signal level of PI feedback when operating in PI Mode. | | | | | |
| Index 1: Used to set the scaling multiplier. The chosen source value is multiplied by this factor. | | | | | |
| Index 2: Defines the scaling source as follows: 0: Motor Speed. Scaling is applied to the output frequency if P-10 = 0, or motor RPM if P-10 > 0. 1: Motor Current. Scaling is applied to the motor current value (Amps). 2: Analog Input 2 Signal Level. Scaling is applied to analog input 2 signal level, internally represented as 0 – 100.0%. 3: PI Feedback. Scaling is applied to the PI feedback selected by P-46, internally represented as 0 – 100.0%. | | | | | |
| P-41 | PI Controller Proportional Gain | 0.0 | 30.0 | 1.0 | - |
| | PI Controller Proportional Gain. Higher values provide a greater change in the drive output frequency in response to small changes in the feedback signal. Too high a value can cause instability. | | | | |
| P-42 | PI Controller Integral Time | 0.0 | 30.0 | 1.0 | s |
| | PI Controller Integral Time. Larger values provide a more damped response for systems where the overall process responds slowly. | | | | |
| P-43 | PI Controller Operating Mode | 0 | 1 | 0 | - |
| | 0: Direct Operation. Use this mode if when the feedback signal drops, the motor speed should increase. 1: Inverse Operation. Use this mode if when the feedback signal drops, the motor speed should decrease. 2: Direct Operation, Maximum Start. As option 1, but with output preset to maximum after Wake from Standby. 3: Inverse Operation, Maximum Start. As option 2, but with output preset to maximum after Wake from Standby. | | | | |
| P-44 | PI Reference (Setpoint) Source Select | 0 | 1 | 0 | - |
| | Selects the source for the PID Reference / Setpoint. 0: Digital Preset Setpoint. P-45 is used. 1: Analog Input 1 Setpoint. Analog input 1 signal level, readable in P00-01 is used for the setpoint. | | | | |
| P-45 | PI Digital Setpoint | 0.0 | 100.0 | 0.0 | % |
| | When P-44 = 0, this parameter sets the preset digital reference (setpoint) used for the PI Controller as a % of the feedback signal. | | | | |
| P-46 | PI Feedback Source Select | 0 | 5 | 0 | - |
| | Selects the source of the feedback signal to be used by the PI controller. 0: Analog Input 2 (Terminal 4) Signal level readable in P00-02. 1: Analog Input 1 (Terminal 6) Signal level readable in P00-01. 2: Motor Current Scaled as % of P-08. 3: DC Bus Voltage Scaled 0 – 1000 Volts = 0 – 100%. 4: Analog 1 – Analog 2 The value of Analog Input 2 is subtracted from Analog 1 to give a differential signal. The value is limited to 0. 5: Largest (Analog 1, Analog 2) The larger of the two analog input values is always used for PI feedback. | | | | |
| P-47 | Analog Input 2 Signal Format | - | - | - | U0-10 |
| | <i>U 0-10</i> = 0 to 10 Volt Signal. <i>R 0-20</i> = 0 to 20mA Signal. <i>t 4-20</i> = 4 to 20mA Signal, the Optidrive will trip and show the fault code 4-20F if the signal level falls below 3mA. <i>r 4-20</i> = 4 to 20mA Signal, the Optidrive will run at Preset Speed 1 (P-20) if the signal level falls below 3mA. <i>t 20-4</i> = 20 to 4mA Signal, the Optidrive will trip and show the fault code 4-20F if the signal level falls below 3mA. <i>r 20-4</i> = 20 to 4mA Signal, the Optidrive will run at Preset Speed 1 (P-20) if the signal level falls below 3mA. <i>Ptc-t</i> = Use for motor thermistor measurement, valid with any setting of P-15 that has Input 3 as E-Trip. Trip level: 1.5kΩ, reset 1kΩ. | | | | |
| P-48 | Standby Mode Timer | 0.0 | 25.0 | 0.0 | s |
| | When standby mode is enabled by setting P-48 > 0.0, the drive will enter standby following a period of operating at minimum speed (P-02) for the time set in P-48. When in Standby Mode, the drive display shows Stndby , and the output to the motor is disabled. | | | | |
| P-49 | PI Control Wake Up Error Level | 0.0 | 100.0 | 5.0 | % |
| | When the drive is operating in PI Control Mode (P-12 = 5 or 6), and Standby Mode is enabled (P-48 > 0.0), P-49 can be used to define the PI Error Level (E.g. difference between the setpoint and feedback) required before the drive restarts after entering Standby Mode. This allows the drive to ignore small feedback errors and remain in Standby mode until the feedback drops sufficiently. | | | | |

| Par. | Description | Minimum | Maximum | Default | Units |
|------|--|------------|--------------|------------|----------|
| P-50 | User Output Relay Hysteresis | 0.0 | 100.0 | 0.0 | % |
| | Sets the hysteresis level for P-19 to prevent the output relay chattering when close to the threshold. | | | | |
| P-60 | Thermal Overload Retention | 0 | 1 | 0 | - |
| | 0 : Disabled 1 : Enabled. When enabled, the drive calculated motor overload protection information is retained after the mains power is removed from the drive. | | | | |

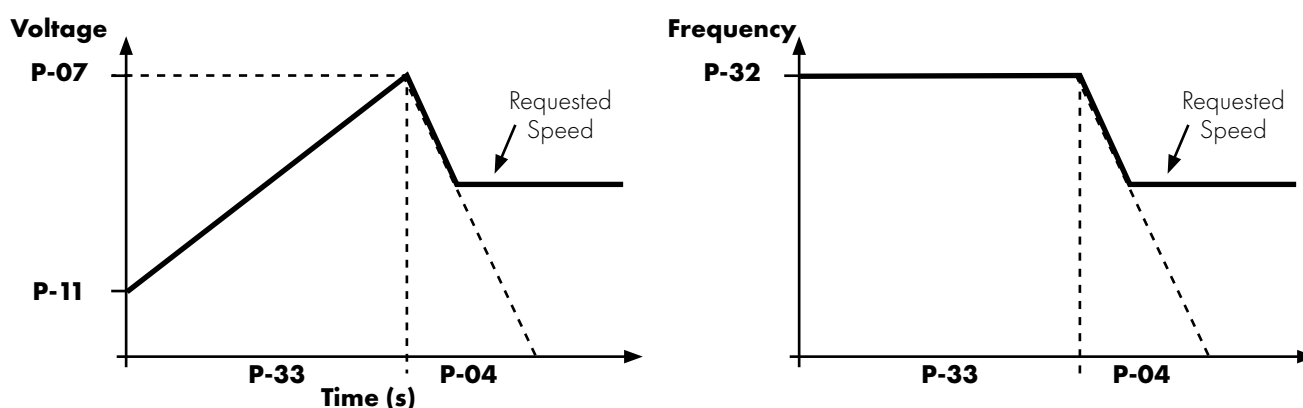
6.3. P-00 Read Only Status Parameters

| Par. | Description | Explanation |
|--------|--|---|
| P00-01 | 1st Analog input value (%) | 100% = max input voltage |
| P00-02 | 2nd Analog input value (%) | 100% = max input voltage |
| P00-03 | Speed reference input (Hz / RPM) | Displayed in Hz if P-10 = 0, otherwise RPM |
| P00-04 | Digital input status | Drive digital input status |
| P00-05 | User PI output (%) | Displays value of the User PI output |
| P00-06 | DC bus ripple (V) | Measured DC bus ripple |
| P00-07 | Applied motor voltage (V) | Value of RMS voltage applied to motor |
| P00-08 | DC bus voltage (V) | Internal DC bus voltage |
| P00-09 | Heatsink temperature (°C) | Temperature of heatsink in °C |
| P00-10 | Run time since date of manuf. (Hours) | Not affected by resetting factory default parameters |
| P00-11 | Run time since last trip (1) (Hours) | Run-time clock stopped by drive disable (or trip), reset on next enable only if a trip occurred. Reset also on next enable after a drive power down |
| P00-12 | Run time since last trip (2) (Hours) | Run-time clock stopped by drive disable (or trip), reset on next enable only if a trip occurred (under-volts not considered a trip) – not reset by power down / power up cycling unless a trip occurred prior to power down |
| P00-13 | Trip log | Displays most recent 4 trips with time stamp |
| P00-14 | Run time since last disable (Hours) | Run-time clock stopped on drive disable, value reset on next enable |
| P00-15 | DC bus voltage log (V) | 8 most recent values prior to trip, 256ms sample time |
| P00-16 | Heatsink temperature log (°C) | 8 most recent values prior to trip, 30s sample time |
| P00-17 | Motor current log (A) | 8 most recent values prior to trip, 256ms sample time |
| P00-18 | DC bus ripple log (V) | 8 most recent values prior to trip, 22ms sample time |
| P00-19 | Internal drive temperature log (°C) | 8 most recent values prior to trip, 30 s sample time |
| P00-20 | Internal drive temperature (°C) | Actual internal ambient temperature in °C |
| P00-21 | CAN process data input | Incoming process data (RX PDO1) for CAN: PI1, PI2, PI3, PI4 |
| P00-22 | CAN process data output | Outgoing process data (TX PDO1) for CAN: PO1, PO2, PO3, PO4 |
| P00-23 | Accumulated time with heatsink > 85°C (Hours) | Total accumulated hours and minutes of operation above heatsink temp of 85°C |
| P00-24 | Accumulated time with drive internal temp > 80°C (Hours) | Total accumulated hours and minutes of operation with drive internal ambient above 80°C |
| P00-25 | Estimated rotor speed (Hz) | In vector control modes, estimated rotor speed in Hz |
| P00-26 | kWh meter / MWh meter | Total number of kWh / MWh consumed by the drive |
| P00-27 | Total run time of drive fans (Hours) | Time displayed in hh:mm:ss. First value displays time in hrs, press up to display mm:ss |
| P00-28 | Software version and checksum | Version number and checksum. "1" on LH side indicates I/O processor, "2" indicates power stage |
| P00-29 | Drive type identifier | Drive rating, drive type and software version codes |
| P00-30 | Drive serial number | Unique drive serial number |
| P00-31 | Motor current Id / Iq | Displays the magnetising current (Id) and torque current (Iq). Press UP to show Iq |
| P00-32 | Actual PWM switching frequency (kHz) | Actual switching frequency used by drive |
| P00-33 | Critical fault counter – O-I | These parameters log the number of times specific faults or errors occur, and are useful for diagnostic purposes |
| P00-34 | Critical fault counter – O-Volts | |
| P00-35 | Critical fault counter – U-Volts | |
| P00-36 | Critical fault counter – O-temp (h/sink) | |
| P00-37 | Critical fault counter – b O-I (chopper) | |
| P00-38 | Critical fault counter – O-hEAt (control) | |
| P00-39 | Modbus comms error counter | |
| P00-40 | CANbus comms error counter | |
| P00-41 | I/O processor comms errors | |
| P00-42 | Power stage uC comms errors | |

| Par. | Description | Explanation |
|--------|---|---|
| P00-43 | Drive power up time (life time) (Hours) | Total lifetime of drive with power applied |
| P00-44 | Phase U current offset & ref | Internal value |
| P00-45 | Phase V current offset & ref | Internal value |
| P00-46 | Phase W current offset & ref | Internal value |
| P00-47 | Index 1: Fire mode total active time Index 2: Fire Mode Activation Count | Total activation time of Fire Mode Displays the number of times Fire Mode has been activated |
| P00-48 | Scope channel 1 & 2 | Displays signals for first scope channels 1 & 2 |
| P00-49 | Scope channel 3 & 4 | Displays signals for first scope channels 3 & 4 |
| P00-50 | Bootloader and motor control | Internal value |

6.4. Single Phase Motor - Boost Starting cycle

In order to provide a reliable method for starting the motor, a special technique is used. The motor is started immediately at rated frequency, whilst the voltage is ramped from an initial Boost Voltage (set in P-11) to the Motor Rated Voltage (set in P-07) over a Boost Period Duration (set in P-33). Following the starting boost period, the drive then begins to control the output frequency and speed of the motor. The graphs below show how this operation works.



In order to achieve reliable starting and optimise the starting method, the following procedure can be used.

1. The motor must be correctly connected to the drive and safe to operate before using this procedure.
2. Ensure the motor rated voltage (P-07) and current (P-08) have been correctly programmed in the drive parameters.
3. Select Extended Parameter Access by setting P-14 = 101.
4. Set the Boost Period Duration P-33 to the maximum allowed value of 150 seconds.
5. Start the drive, and display the motor current (press the Navigate button until the display shows "A x.x" where x is the motor current).
6. Check the current value compared to the motor rated current around 3 – 5 seconds after starting the drive.
 - a. If the current displayed is less than 80% of the motor rated current:
 - o Stop the drive
 - o Increase P-11
 - o Repeat from step 5.
 - b. If the current displayed is greater than 90% of the motor rated current:
 - o Stop the drive
 - o Reduce P-11
 - o Repeat from step 5.
7. The correct boost voltage setting should deliver 80 – 90% of the motor rated current approximately 3 – 5 seconds after enabling the drive.
8. Now the Boost Period Duration may be reduced to match the actual time required for the motor to start. The simplest method is to initially reduce in large steps and monitor the motor behaviour on starting the drive. The ideal boost period will be a few seconds longer than is required to bring the motor to full speed.

By following this procedure, the motor starting parameter can be optimised to start the motor reliably without excessive starting current.

7. Analog and Digital Input Macro Configurations

7.1. Overview

Optidrive E3 uses a Macro approach to simplify the configuration of the Analog and Digital Inputs. There are two key parameters which determine the input functions and drive behaviour:

P-12 Selects the main drive control source and determines how the output frequency of the drive is primarily controlled.

P-15 Assigns the Macro function to the analog and digital inputs.

Additional parameters can then be used to further adapt the settings, e.g.

P-16 Used to select the format of the analog signal to be connected to analog input 1, e.g. 0 – 10 Volt, 4 – 20mA.

P-20 – P-23 Preset speed parameters, which may be selected by the digital inputs

P-30 Determines whether the drive should automatically start following a power on if the Enable Input is present.

P-31 When Keypad Mode is selected, determines at what output frequency / speed the drive should start following the enable command, and also whether the keypad start key must be pressed or if the Enable input alone should start the drive.

P-47 Used to select the format of the analog signal to be connected to analog input 2, e.g. 0 – 10 Volt, 4 – 20mA.

The diagrams below provide an overview of the functions of each terminal macro function, and a simplified connection diagram for each.

7.2. Macro Functions Guide Key

The table below should be used as a key for pages 32 to 34.

| | |
|-----------------------------|--|
| STOP / RUN | Latched input, Close to Run, Open to Stop. |
| START ↓ | Normally Open, Rising Edge Start Function. |
| AI1 REF | Analog Input 1 is the selected speed reference. |
| P-xx REF | Speed setpoint from the selected preset speed. |
| PR-REF | Preset speeds P-20 – P-23 are used for the speed reference, selected according to other digital input status. |
| ^-FAST STOP (P-24)-^ | When both inputs are active simultaneously, the drive stops using Fast Stop Ramp Time P-24. |
| E-TRIP ↓ | External Trip input, which must be Normally Closed. When the input opens, the drive trips showing $E-tr IP$ or $Ptc-th$ depending on P-47 setting. |
| (NO) | Normally Open Contact, Momentarily Close to Start. |
| (NC) | Normally Closed Contact, momentary Open to Stop. |
| Fire Mode | Activates Fire Mode, see section 7.7. Fire Mode. |
| ENABLE | Hardware Enable Input. In Keypad Mode, P-31 determines whether the drive immediately starts, or the keypad start key must be pressed. In other modes, this input must be present before the start signal via the fieldbus interface. |
| INC SPD ↓ | Normally Open, Close the input to Increase the motor speed. |
| DEC SPD ↓ | Normally Open, Close input to Decrease motor speed. |
| KPD REF | Keypad Speed Reference selected. |
| FB REF | Selected speed reference from Fieldbus (Modbus RTU / CAN / Master depending on P-12 setting). |

7.3. Macro Functions – Terminal Mode (P-12 = 0)

| P-15 | DI1 | | DI2 | | DI3 / AI2 | | DI4 / AI1 | | Diagram | |
|------|------|---------|------------------|--------------------|------------------|--------------------|-------------------|-------------------|-----------|----|
| | 0 | 1 | 0 | 1 | 0 | 1 | 0 | 1 | | |
| 0 | STOP | RUN | No Function | | AI1 REF | P-20 REF | Analog Input AI1 | | 1 | |
| 1 | STOP | RUN | AI1 REF | PR-REF | P-20 | P-21 | Analog Input AI1 | | 2 | |
| 2 | STOP | RUN | DI2 | DI3 | PR | | P-20 - P-23 | P-01 | 3 | |
| | | | 0 | 0 | P-20 | | | | | |
| | | | 1 | 0 | P-21 | | | | | |
| | | | 0 | 1 | P-22 | | | | | |
| 3 | STOP | RUN | AI1 | P-20 REF | E-TRIP ↓ | OK | Analog Input AI1 | | 4 | |
| | | | | | | | Analog Input AI1 | | | |
| | | | | | | | Analog Input AI1 | | | |
| | | | | | | | Analog Input AI1 | | | |
| 4 | STOP | RUN | AI1 | AI2 | Analog Input AI2 | | Analog Input AI1 | | 5 | |
| 5 | STOP | RUN | OK | FAST STOP (P-24) ↑ | AI1 | P-20 REF | Analog Input AI1 | | 6 | |
| 6 | STOP | RUN | No Function | | E-TRIP ↓ | OK | Analog Input AI1 | | 7 | |
| 7 | STOP | RUN | OK | FAST STOP (P-24) ↑ | E-TRIP ↓ | OK | Analog Input AI1 | | 8 | |
| 8 | STOP | RUN | No Function | | DI3 | DI4 | PR | | 9 | |
| | | | | | 0 | 0 | P-20 | | | |
| | | | | | 1 | 0 | P-21 | | | |
| | | | | | 0 | 1 | P-22 | | | |
| 9 | STOP | RUN | OK | FAST STOP (P-24) ↑ | DI3 | DI4 | PR | | 10 | |
| | | | | | 0 | 0 | P-20 | | | |
| | | | | | 1 | 0 | P-21 | | | |
| | | | | | 0 | 1 | P-22 | | | |
| 10 | (NO) | START ↑ | STOP ↓ | (NC) | AI1 REF | P-20 REF | Analog Input AI1 | | 11 | |
| 11 | (NO) | START ↑ | STOP ↓ | (NC) | (NO) | FAST STOP (P-24) ↑ | Analog Input AI1 | | 12 | |
| 12 | STOP | RUN | FAST STOP (P-24) | OK | AI1 REF | P-20 REF | Analog Input AI1 | | 13 | |
| 13 | (NO) | START ↑ | STOP ↓ | (NC) | (NO) | FAST STOP (P-24) ↑ | KPD REF | P-20 REF | 12 | |
| 14 | STOP | RUN | DI2 | | E-TRIP ↓ | OK | DI2 | DI4 | PR | 14 |
| | | | | | | | 0 | 0 | P-20 | |
| | | | | | | | 1 | 0 | P-21 | |
| | | | | | | | 0 | 1 | P-22 | |
| 15 | STOP | RUN | P-23 REF | AI1 REF | Fire Mode | | Analog Input AI1 | | 2 | |
| | | | | | Fire Mode | | Analog Input AI1 | | | |
| | | | | | Fire Mode | | Analog Input AI1 | | | |
| | | | | | Fire Mode | | Analog Input AI1 | | | |
| 16 | STOP | RUN | P-23 REF | P-21 REF | Fire Mode | | DI4 = No Function | DI4 = No Function | 3 | |
| 17 | STOP | RUN | DI2 | | Fire Mode | | DI2 | DI4 | PR | 3 |
| | | | | | | | 0 | 0 | P-20 | |
| | | | | | | | 1 | 0 | P-21 | |
| | | | | | | | 0 | 1 | P-22 | |
| 18 | STOP | RUN | AI1 REF | P-20 REF | Fire Mode | | Analog Input AI1 | | 2 | |
| | | | | | Fire Mode | | Analog Input AI1 | | | |
| | | | | | Fire Mode | | Analog Input AI1 | | | |
| | | | | | Fire Mode | | Analog Input AI1 | | | |

7.4. Macro Functions - Keypad Mode (P-12 = 1 or 2)

| P-15 | DI1 | | DI2 | | DI3 / AI2 | | DI4 / AI1 | | Diagram |
|-------------|---|--------|--------------------|------------------|-----------|-----------|------------------|----------|---------|
| | 0 | 1 | 0 | 1 | 0 | 1 | 0 | 1 | |
| 0 | STOP | ENABLE | - | INC SPD ↑ | - | DEC SPD ↓ | No Function | | 15 |
| 1 | STOP | ENABLE | PI Speed Reference | | | | | | 5 |
| 2 | STOP | ENABLE | - | INC SPD ↑ | - | DEC SPD ↓ | KPD REF | P-20 REF | 15 |
| 3 | STOP | ENABLE | - | INC SPD ↑ | E-TRIP ↓ | OK | - | DEC SPD | |
| 4 | STOP | ENABLE | - | INC SPD ↑ | KPD REF | AI1 REF | Analog Input AI1 | | 6 |
| 5 | STOP | ENABLE | No Function | | KPD REF | AI1 REF | Analog Input AI1 | | 1 |
| 6 | STOP | ENABLE | No Function | | E-TRIP ↓ | OK | KPD REF | P-20 REF | 4 |
| 7 | STOP | ENABLE | OK | FAST STOP (P-24) | E-TRIP | OK | KPD REF | P-20 REF | 4 |
| 8 | STOP | ENABLE | OK | FAST STOP (P-24) | KPD REF | AI1 REF | Analog Input AI1 | | 2 |
| 14 | STOP | ENABLE | No Function | | E-TRIP ↓ | OK | No Function | | 4 |
| 15 | STOP | ENABLE | PR REF | KPD REF | Fire Mode | | P-23 | P-21 | 3 |
| 16 | STOP | ENABLE | P-23 REF | KPD REF | Fire Mode | | No Function | | 3 |
| 17 | STOP | ENABLE | KPD REF | P-23 REF | Fire Mode | | No Function | | 3 |
| 18 | STOP | ENABLE | AI1 REF | KPD REF | Fire Mode | | Analog Input AI1 | | 2 |
| NOTE | 8, 9, 10, 11, 12, 13 = 0 When P-12 = 1 or 2, Refer to P-31 for starting control | | | | | | | | |

7.5. Macro Functions - Fieldbus Control Mode (P-12 = 3, 4, 7, 8 or 9)

| P-15 | DI1 | | DI2 | | DI3 / AI2 | | DI4 / AI1 | | Diagram |
|-------------|--|--------|--|----------|-----------|------|------------------|------|---------|
| | 0 | 1 | 0 | 1 | 0 | 1 | 0 | 1 | |
| 0 | STOP | ENABLE | FB REF (Fieldbus Speed Reference, Modbus RTU / CAN / Master-Slave defined by P-12) | | | | | | 1 |
| 1 | STOP | ENABLE | PI Speed Reference | | | | | | 5 |
| 3 | STOP | ENABLE | FB REF | P-20 REF | E-TRIP ↓ | OK | Analog Input AI1 | | 4 |
| 5 | STOP | ENABLE | FB REF | PR REF | P-20 | P-21 | Analog Input AI1 | | 2 |
| 6 | STOP | ENABLE | FB REF | AI1 REF | E-TRIP ↓ | OK | Analog Input AI1 | | 4 |
| 7 | STOP | ENABLE | FB REF | KPD REF | E-TRIP ↓ | OK | Analog Input AI1 | | 4 |
| 14 | STOP | ENABLE | No Function | | E-TRIP ↓ | OK | Analog Input AI1 | | 4 |
| 15 | STOP | ENABLE | PR REF | FB REF | Fire Mode | | P-23 | P-21 | 3 |
| 16 | STOP | ENABLE | P-23 REF | FB REF | Fire Mode | | Analog Input AI1 | | 2 |
| 17 | STOP | ENABLE | FB REF | P-23 REF | Fire Mode | | Analog Input AI1 | | 2 |
| 18 | STOP | ENABLE | AI1 REF | FB REF | Fire Mode | | Analog Input AI1 | | 2 |
| NOTE | 2, 4, 8, 9, 10, 11, 12, 13 = 0 When P-12 = 3 or 4, and P-15 = 5, 6, or 7, when DI 2 is on, DI1 will start and stop the drive. When P-12 = 3 or 4 and P-31 = 2, 3, 6 or 7, The drive will start / stop based on DI1 only and communication loss is disabled. | | | | | | | | |

7.6. Macro Functions - User PI Control Mode (P-12 = 5 or 6)

| P-15 | DI1 | | DI2 | | DI3 / AI2 | | DI4 / AI1 | | Diagram |
|-------------|------------------------------------|---------|-------------|----------|--------------------------------|----------|------------------|---|---------|
| | 0 | 1 | 0 | 1 | 0 | 1 | 0 | 1 | |
| 0 | STOP | RUN | PI REF | P-20 REF | AI2 | | AI1 | | 5 |
| 1 | STOP | RUN | PI REF | AI1 REF | Analog Input AI2 (PI Feedback) | | AI1 | | 5 |
| 3, 7 | STOP | RUN | PI REF | P-20 | E-TRIP | OK | AI1 (PI FB) | | 4 |
| 4 | (NO) | START ↑ | (NC) | STOP | AI2 (PI FB) | | Analog Input AI1 | | |
| 5 | (NO) | START ↑ | (NC) | STOP | PI REF | P-20 REF | AI1 (PI FB) | | 11 |
| 6 | (NO) | START ↑ | (NC) | STOP | E-TRIP | OK | AI1 (PI FB) | | |
| 14 | STOP | RUN | No Function | | E-TRIP | OK | AI1 (PI FB) | | 1 |
| 15 | STOP | RUN | P-23 REF | PI REF | Fire Mode | | AI1 (PI FB) | | 2 |
| 16 | STOP | RUN | P-23 REF | P-21 REF | Fire Mode | | AI1 (PI FB) | | 2 |
| 17 | STOP | RUN | P-21 REF | P-23 REF | Fire Mode | | AI1 (PI FB) | | 2 |
| 18 | STOP | RUN | AI1 REF | PI REF | Fire Mode | | Analog Input AI1 | | 2 |
| NOTE | 2, 8, 9, 10, 11, 12, 13 = 0 | | | | | | | | |

7.7. Fire Mode

The Fire Mode function is designed to ensure continuous operation of the drive in emergency conditions until the drive is no longer capable of sustaining operation. The Fire Mode input may be a normally open (Close to Activate Fire Mode) or Normally Closed (Open to Activate Fire Mode) according to the setting of P-30 Index 2. In addition, the input may be momentary or maintained type, selected by P-30 Index 3.

This input may be linked to a fire control system to allow maintained operation in emergency conditions, e.g. to clear smoke or maintain air quality within that building.

The fire mode function is enabled when P-15 = 15, 16 or 17, with Digital Input 3 assigned to activate fire mode.

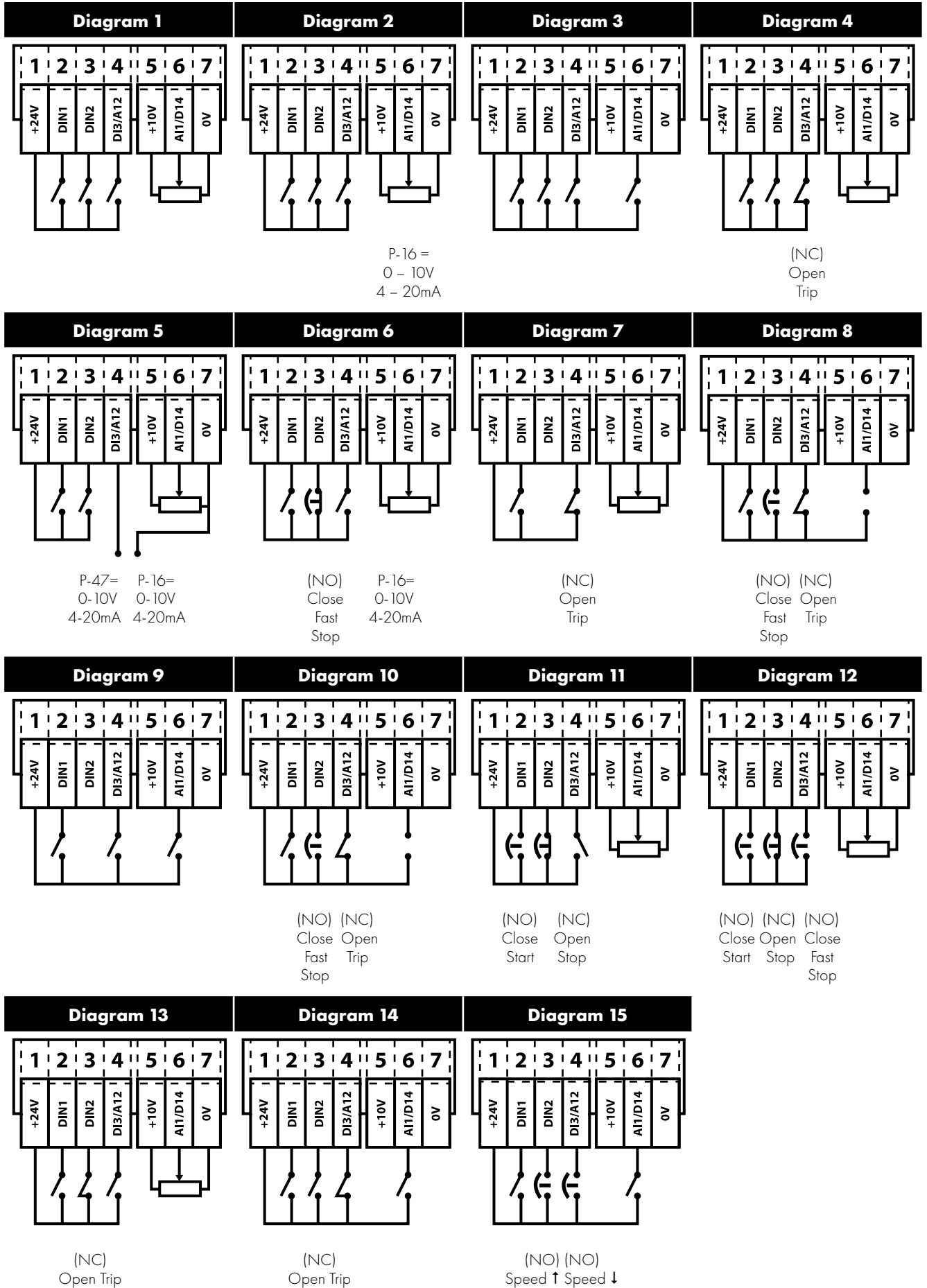
Fire Mode disables the following protection features in the drive:

O-t (Heat-sink Over-Temperature), U-t (Drive Under Temperature), Th-Flt (Faulty Thermistor on Heat-sink), E-trip (External Trip), 4-20 F (4-20mA fault), Ph-Ib (Phase Imbalance), P-Loss (Input Phase Loss Trip), SC-trip (Communications Loss Trip), I.t-trip (Accumulated overload Trip).

The following faults will result in a drive trip, auto reset and restart:

O-Volt (Over Voltage on DC Bus), U-Volt (Under Voltage on DC Bus), h O-I (Fast Over-current Trip), O-I (Instantaneous over current on drive output), Out-F (Drive output fault, Output stage trip).

7.8. Example Connection Diagrams



8. Modbus RTU Communications

8.1. Introduction

The Optidrive E3 can be connected to a Modbus RTU network via the RJ45 connector on the front of the drive.

8.2. Modbus RTU Specification

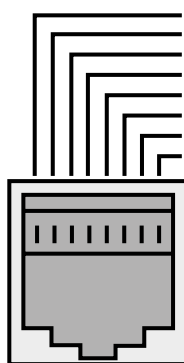
| | |
|--------------------------|--|
| Protocol | Modbus RTU |
| Error check | CRC |
| Baud rate | 9600bps, 19200bps, 38400bps, 57600bps, 115200bps (default) |
| Data format | 1 start bit, 8 data bits, 1 stop bits, no parity |
| Physical signal | RS 485 (2-wire) |
| User interface | RJ45 |
| Supported Function Codes | 03 Read Multiple Holding Registers 06 Write Single Holding Register 16 Write Multiple Holding Registers (Supported for registers 1 – 4 only) |

8.3. RJ45 Connector Configuration

For full MODBUS RTU register map information please refer to your Invertek Drives Sales Partner. Local contacts can be found by visiting our website:

www.invertekdrives.com

When using MODBUS control the Analog and Digital Inputs can be configured as shown in section 7.5. Macro Functions - Fieldbus Control Mode (P-12 = 3, 4, 7, 8 or 9).



| | |
|---|---------------------|
| 1 | CAN - |
| 2 | CAN + |
| 3 | 0 Volts |
| 4 | -RS485 (PC) |
| 5 | +RS485 (PC) |
| 6 | +24 Volt |
| 7 | -RS485 (Modbus RTU) |
| 8 | +RS485 (Modbus RTU) |

Warning: This is not an Ethernet connection. Do not connect directly to an Ethernet port.

8.4. Modbus Register Map

| Register Number | Par. | Type | Supported Function Codes | | | Function | | Range | Explanation |
|-----------------|--------|------|--------------------------|----|----|------------------------------------|--------------|----------|---|
| | | | 03 | 06 | 16 | Low Byte | High Byte | | |
| 1 | - | R/W | ✓ | ✓ | ✓ | Drive Control Command | | 0..3 | 16 Bit Word. Bit 0: Low = Stop, High = Run Enable Bit 1: Low = Decel Ramp 1 (P-04), High = Decel Ramp 2 (P-24) Bit 2: Low = No Function, High = Fault Reset Bit 3: Low = No Function, High = Coast Stop Request |
| 2 | - | R/W | ✓ | ✓ | ✓ | Modbus Speed reference setpoint | | 0..5000 | Setpoint frequency x10, e.g. 100 = 10.0Hz |
| 4 | - | R/W | ✓ | ✓ | ✓ | Acceleration and Deceleration Time | | 0..60000 | Ramp time in seconds x 100, e.g. 250 = 2.5 seconds |
| 6 | - | R | ✓ | | | Error code | Drive status | | Low Byte = Drive Error Code, see section 10.1. Fault Code Messages High Byte = Drive Status as follows: 0: Drive Stopped 1: Drive Running 2: Drive Tripped |
| 7 | | R | ✓ | | | Output Motor Frequency | | 0..20000 | Output frequency in Hz x10, e.g. 100 = 10.0Hz |
| 8 | | R | ✓ | | | Output Motor Current | | 0..480 | Output Motor Current in Amps x10, e.g. 10 = 1.0 Amps |
| 11 | - | R | ✓ | | | Digital input status | | 0..15 | Indicates the status of the 4 digital inputs Lowest Bit = 1 Input 1 |
| 20 | P00-01 | R | ✓ | | | Analog Input 1 value | | 0..1000 | Analog input % of full scale x10, e.g. 1000 = 100% |
| 21 | P00-02 | R | ✓ | | | Analog Input 2 value | | 0..1000 | Analog input % of full scale x10, e.g. 1000 = 100% |
| 22 | P00-03 | R | ✓ | | | Speed Reference Value | | 0..1000 | Displays the setpoint frequency x10, e.g. 100 = 10.0Hz |
| 23 | P00-08 | R | ✓ | | | DC bus voltage | | 0..1000 | DC Bus Voltage in Volts |
| 24 | P00-09 | R | ✓ | | | Drive temperature | | 0..100 | Drive heatsink temperature in °C |

All user configurable parameters are accessible as Holding Registers, and can be Read from or Written to using the appropriate Modbus command. The Register number for each parameter P-04 to P-60 is defined as 128 + Parameter number, e.g. for parameter P-15, the register number is 128 + 15 = 143. Internal scaling is used on some parameters, for further details please contact your Invertek Drives Sales Partner.

9. Technical Data

9.1. Environmental

| | | | |
|---------------------------------------|-----------------|---|--|
| Operational ambient temperature range | Open Drives | : | -10 ... 50°C (frost and condensation free) |
| | Enclosed Drives | : | -10 ... 40°C (frost and condensation free) |
| Storage ambient temperature range | | : | -40 ... 60°C |
| Maximum altitude | | : | 2000m. Derate above 1000m: 1% / 100m |
| Maximum humidity | | : | 95%, non-condensing |

NOTE For UL compliance: the average ambient temperature over a 24 hour period for 200-240V, 2.2kW and 3HP, IP20 drives is 45°C.

9.2. Rating Tables

| Frame Size | kW | HP | Input Current | Fuse / MCB (Type B) | | Maximum Cable Size | | Output Current | Recommended Brake Resistance |
|--|------|-----|---------------|---------------------|----|--------------------|-----|----------------|------------------------------|
| | | | | Non UL | UL | mm | AWG | | |
| 110 - 115 (+ / - 10%) V 1 Phase Input, 1 Phase Output | | | | | | | | | |
| 1 | 0.37 | 0.5 | 8.5 | 16 | 15 | 8 | 8 | 7.0 | - |
| 2 | 0.75 | 1 | 12.5 | 16 | 15 | 8 | 8 | 10.5 | 100 |
| 200 - 240 (+ / - 10%) V 3 Phase Input, 3 Phase Output | | | | | | | | | |
| 1 | 0.37 | 0.5 | 6.0 | 10 | 10 | 8 | 8 | 4.3 | - |
| 1 | 0.75 | 1 | 9.3 | 16 | 15 | 8 | 8 | 7.0 | - |
| 1 | 1.1 | 1.5 | 14.0 | 20 | 20 | 8 | 8 | 10.5 | 100 |

NOTE Cable sizes shown are the maximum possible that may be connected to the drive. Cables should be selected according to local wiring codes or regulations at the point of installation.

9.3. Additional Information for UL Compliance

Optidrive E3 is designed to meet the UL requirements. For an up to date list of UL compliant products, please refer to UL listing NMMS.E226333. In order to ensure full compliance, the following must be fully observed.

| Input Power Supply Requirements | | | | |
|--|--|-------------|-------------|--------------------------------------|
| Supply Voltage | 110 – 115 RMS Volts for 115 Volt rated units, + / - 10% variation allowed. 115 Volt RMS Maximum. 200 – 240 RMS Volts for 230 Volt rated units, + / - 10% variation allowed. 240 Volt RMS Maximum. | | | |
| Frequency | 50 – 60Hz + / - 5% Variation | | | |
| Short Circuit Capacity | Voltage Rating | Min kW (HP) | Max kW (HP) | Maximum supply short-circuit current |
| | 115V | 0.37 (0.5) | 0.75 (1) | 100kA rms (AC) |
| | 230V | 0.37 (0.5) | 1.1 (1.5) | 100kA rms (AC) |
| | All the drives in the above table are suitable for use on a circuit capable of delivering not more than the above specified maximum short-circuit Amperes symmetrical with the specified maximum supply voltage when protected by Class J fuses. | | | |
| Mechanical Installation Requirements | | | | |
| All Optidrive E3 units are intended for indoor installation within controlled environments which meet the condition limits shown in section 9.1. Environmental. | | | | |
| The drive can be operated within an ambient temperature range as stated in section 9.1. Environmental. | | | | |
| For IP20 units, installation is required in a pollution degree 1 environment. | | | | |
| For IP66 (NEMA 4X) units, installation in a pollution degree 2 environment is permissible. | | | | |
| Electrical Installation Requirements | | | | |
| Incoming power supply connection must be according to section 4.3. Incoming Power Connection. | | | | |
| Suitable Power and motor cables should be selected according to the data shown in section 9.2. Rating Tables and the National Electrical Code or other applicable local codes. | | | | |
| Motor Cable | 75°C Copper must be used. | | | |
| Power cable connections and tightening torques are shown in sections 3.3. Mechanical Dimensions and Mounting – IP20 Open Units and 3.5. Mechanical Dimensions – IP66 (NEMA 4X) Enclosed Units. | | | | |
| Integral Solid State short circuit protection does not provide branch circuit protection. Branch circuit protection must be provided in accordance with the national electrical code and any additional local codes. Ratings are shown in section 9.2. Rating Tables | | | | |
| Transient surge suppression must be installed on the line side of this equipment and shall be rated 480Volt (phase to ground), 480 Volt (phase to phase), suitable for over voltage category iii and shall provide protection for a rated impulse withstand voltage peak of 4kV. | | | | |
| UL Listed ring terminals / lugs must be used for all bus bar and grounding connections. | | | | |

General Requirements

Optidrive E3 provides motor overload protection in accordance with the National Electrical Code (US).

- Where a motor thermistor is not fitted, or not utilised, Thermal Overload Memory Retention must be enabled by setting P-50 = 1.
- Where a motor thermistor is fitted and connected to the drive, connection must be carried out according to the information shown in section 4.9.2. Motor Thermistor Connection.

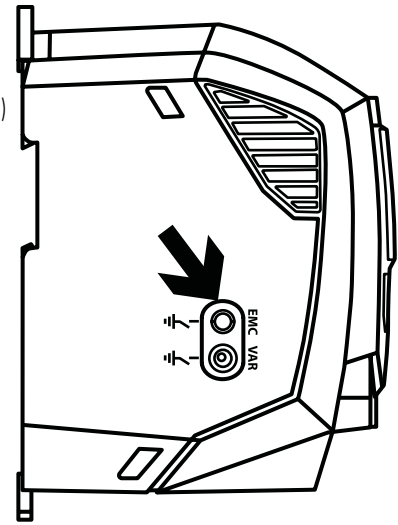
9.4. EMC Filter Disconnect

Drives with an EMC filter have an inherently higher leakage current to Ground (Earth). For applications where tripping occurs the EMC filter can be disconnected (on IP20 units only) by completely removing the EMC screw on the side of the product.

Remove the screw as indicated right.

The Optidrive product range has input supply voltage surge suppression components fitted to protect the drive from line voltage transients, typically originating from lightning strikes or switching of high power equipment on the same supply.

When carrying out a HiPot (Flash) test on an installation in which the drive is built, the voltage surge suppression components may cause the test to fail. To accommodate this type of system HiPot test, the voltage surge suppression components can be disconnected by removing the VAR screw. After completing the HiPot test, the screw should be replaced and the HiPot test repeated. The test should then fail, indicating that the voltage surge suppression components are once again in circuit.



10. Troubleshooting

10.1. Fault Code Messages

| Fault Code | No. | Description | Suggested Remedy |
|------------|-----|-------------------------------------|--|
| no-FLt | 00 | No Fault | Not required. |
| Ol -b | 01 | Brake channel over current | Check external brake resistor condition and connection wiring. |
| OL-br | 02 | Brake resistor overload | The drive has tripped to prevent damage to the brake resistor. |
| O-I | 03 | Output Over Current | Instantaneous Over current on the drive output. Excess load or shock load on the motor. NOTE Following a trip, the drive cannot be immediately reset. A delay time is inbuilt, which allows the power components of the drive time to recover to avoid damage. |
| I _t- trP | 04 | Motor Thermal Overload (I2t) | The drive has tripped after delivering >100% of value in P-08 for a period of time to prevent damage to the motor. |
| PS- trP | 05 | Power stage trip | Check for short circuits on the motor and connection cable |
| O-uolt | 06 | Over voltage on DC bus | Check the supply voltage is within the allowed tolerance for the drive. If the fault occurs on deceleration or stopping, increase the deceleration time in P-04 or install a suitable brake resistor and activate the dynamic braking function with P-34. |
| U-uolt | 07 | Under voltage on DC bus | The incoming supply voltage is too low. This trip occurs routinely when power is removed from the drive. If it occurs during running, check the incoming power supply voltage and all components in the power feed line to the drive. |
| O-t | 08 | Heatsink over temperature | The drive is too hot. Check the ambient temperature around the drive is within the drive specification. Ensure sufficient cooling air is free to circulate around the drive. |
| U-t | 09 | Under temperature | Trip occurs when ambient temperature is less than -10°C. Temperature must be raised over -10°C in order to start the drive. |
| P-dEF | 10 | Factory Default parameters loaded | |
| E-tr iP | 11 | External trip | E-trip requested on digital input 3. Normally closed contact has opened for some reason. If motor thermistor is connected check if the motor is too hot. |
| SC-ObS | 12 | Optibus comms loss | Check communication link between drive and external devices. Make sure each drive in the network has its unique address. |
| FLt-dc | 13 | DC bus ripple too high | Check incoming supply phases are all present and balanced. |
| P-LOSS | 14 | Input phase loss trip | Check incoming power supply phases are present and balanced. |
| h O-I | 15 | Output Over Current | Check for short circuits on the motor and connection cable. Note: Following a trip, the drive cannot be immediately reset. A delay time is inbuilt, which allows the power components of the drive time to recover to avoid damage. |
| th-FLt | 16 | Faulty thermistor on heatsink | |
| dRAr-F | 17 | Internal memory fault (IO) | Press the stop key. If the fault persists, consult you supplier. |
| 4-20 F | 18 | 4-20mA Signal Lost | Check the analog input connection(s). |
| dRAr-E | 19 | Internal memory fault (DSP) | Press the stop key. If the fault persists, consult you supplier. |
| F-PLc | 21 | Motor PTC thermistor trip | Connected motor thermistor over temperature, check wiring connections and motor. |
| FRn-F | 22 | Cooling Fan Fault (IP66 only) | Check / replace the cooling fan. |
| O-hEArE | 23 | Drive internal temperature too high | Drive ambient temperature too high, check adequate cooling air is provided. |
| SC-FD1 | 50 | Modbus comms loss fault | Check the incoming Modbus RTU connection cable. Check that at least one register is being polled cyclically within the timeout limit set in P-36 Index 3. |
| SC-FD2 | 51 | CAN comms loss trip | Check the incoming CAN connection cable. Check that cyclic communications take place within the timeout limit set in P-36 Index 3. |



82-E31PH-IN_V2.00