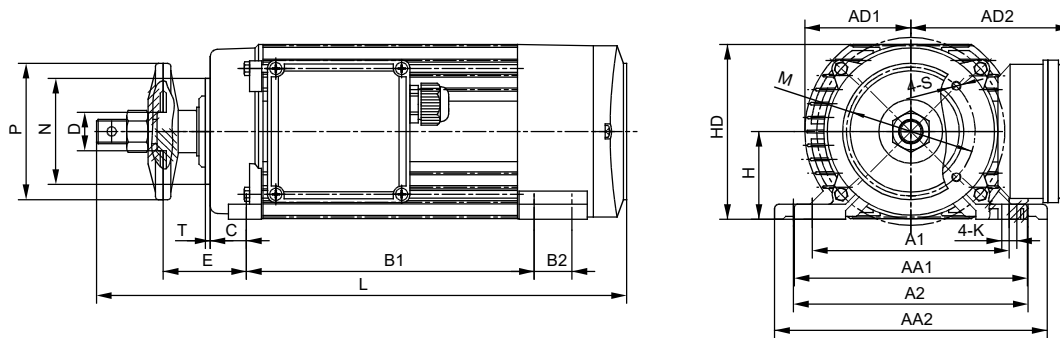


Felandia

MSC/MYC Series Three/Single-Phase Aluminum Housing Saw Motors



MSC/MYC Series Motors Overall & Installation Dimensions

Type	H	D	P	N	M	S	A1	A2	B1	B2	C	E	T	K	AA1	AA2	HD	AD1	AD2	L
MYC58A2	58	25.4	90	70	85	M6	130	155	165	25	24	55	3	10	154	180	116	70	113	325
MYC58B2	58	25.4	90	70	85	M6	130	155	190	25	24	55	3	10	154	180	116	70	113	350
MYC58C2	58	25.4	90	70	85	M6	130	155	190	25	24	55	3	10	154	180	116	70	113	350
MYC63B2	63	25.4	90	80	100	M6	130	155	190	28	24	55	3	10	154	180	126	77	118	355
MSC58A2	58	25.4	90	70	85	M6	130	155	165	25	24	55	3	10	154	180	116	70	103	325
MSC58B2	58	25.4	90	70	85	M6	130	155	190	25	24	55	3	10	154	180	116	70	103	350
MSC63A2	63	25.4	90	80	100	M6	130	155	165	28	24	55	3	10	154	180	126	77	108	330
MSC63B2	63	25.4	90	80	100	M6	130	155	190	28	24	55	3	10	154	180	126	77	108	355
MSC74A2	74	30	110	95	115	M6	155	155	190	25	24	55	3	12	180	180	147	87	125	370
MSC81A2	81	40	158	110	130	M8	160	190	254	20	25	64	3.5	12	190	225	162	99	133	462
MSC81B2	81	40	158	110	130	M8	160	190	318	20	25	64	3.5	12	190	225	162	99	133	526
MSC93A2	93	40	158	110	130	M8	190	190	229	25	25	64	3.5	14	225	225	184	108	143	440
MSC93B2	93	40	158	110	130	M8	190	190	254	25	25	64	3.5	14	225	225	184	108	143	465