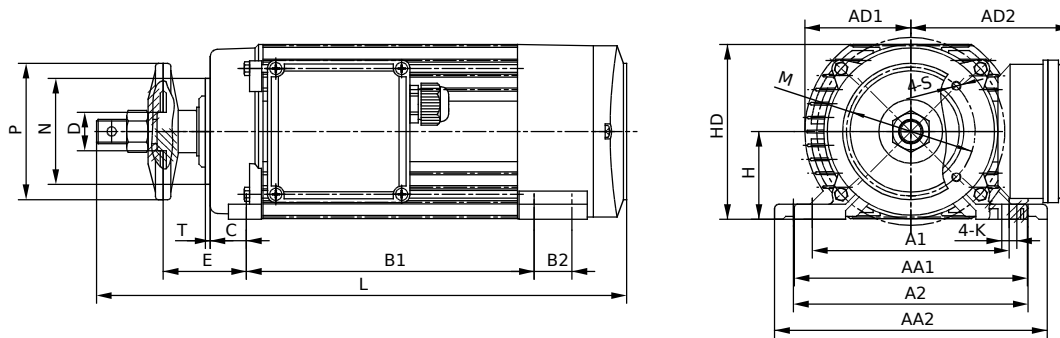




MSC/MYC Series Three/Single-Phase Aluminum Housing Saw Motors



MSC/MYC Series Motors Overall & Installation Dimensions

Type	H	D	P	N	M	S	A1	A2	B1	B2	C	E	T	K	AA1	AA2	HD	AD1	AD2	L
MYC-581-2	58	25.4	90	70	85	M6	130	155	165	25	24	55	3	10	154	180	116	70	113	325
MYC-582-2	58	25.4	90	70	85	M6	130	155	190	25	24	55	3	10	154	180	116	70	113	350
MYC-583-2	58	25.4	90	70	85	M6	130	155	190	25	24	55	3	10	154	180	116	70	113	350
MYC-632-2	63	25.4	90	80	100	M6	130	155	190	28	24	55	3	10	154	180	126	77	118	355
MSC-581-2	58	25.4	90	70	85	M6	130	155	165	25	24	55	3	10	154	180	116	70	103	325
MSC-582-2	58	25.4	90	70	85	M6	130	155	190	25	24	55	3	10	154	180	116	70	103	350
MSC-631-2	63	25.4	90	80	100	M6	130	155	165	28	24	55	3	10	154	180	126	77	108	330
MSC-632-2	63	25.4	90	80	100	M6	130	155	190	28	24	55	3	10	154	180	126	77	108	355
MSC-741-2	74	30	110	95	115	M6	155	155	190	25	24	55	3	12	180	180	147	87	125	370
MSC-811-2	81	40	158	110	130	M8	160	190	254	20	25	64	3.5	12	190	225	162	99	133	462
MSC-812-2	81	40	158	110	130	M8	160	190	318	20	25	64	3.5	12	190	225	162	99	133	526
MSC-931-2	93	40	158	110	130	M8	190	190	229	25	25	64	3.5	14	225	225	184	108	143	440
MSC-932-2	93	40	158	110	130	M8	190	190	254	25	25	64	3.5	14	225	225	184	108	143	465