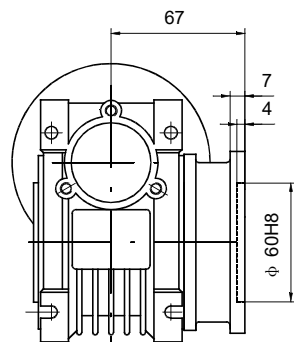
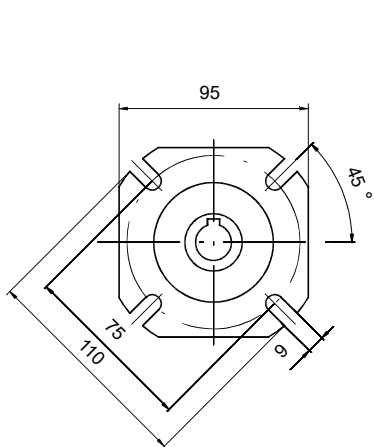
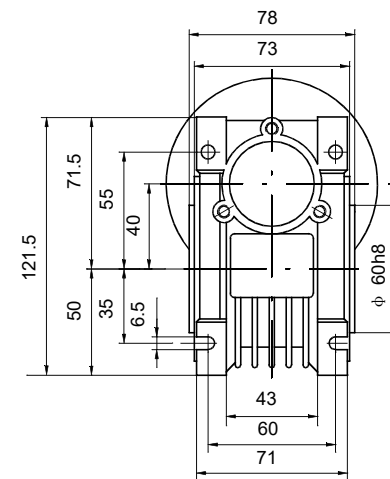
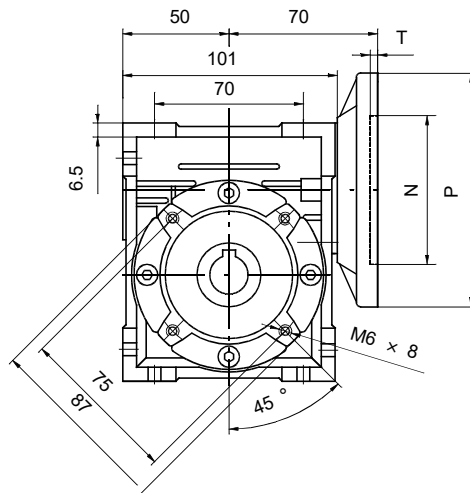
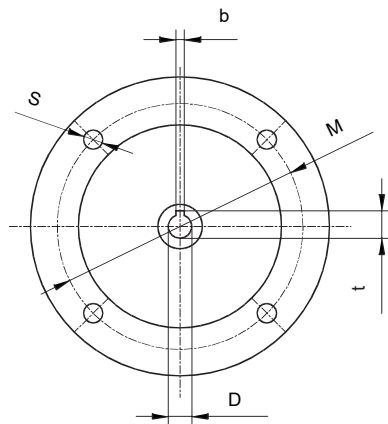
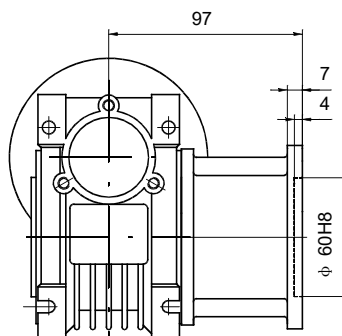




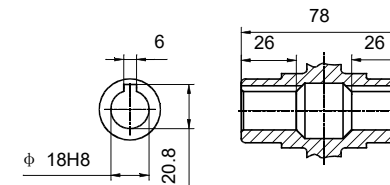
RV40



F



FL



IEC	D _{E8}	b	t	P	M	N	S	T
63B14	11	4	12.8	90	75	60	5.5	3
71B14	14	5	16.3	105	85	70	7	3