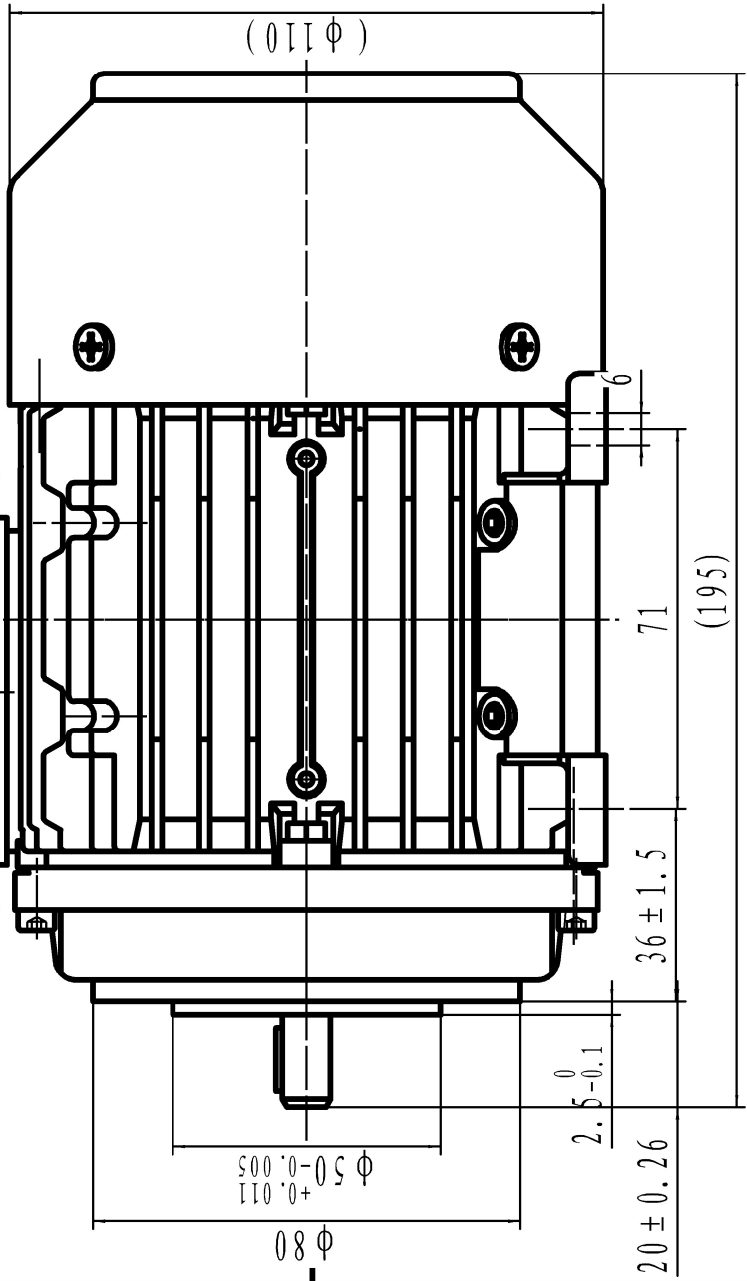
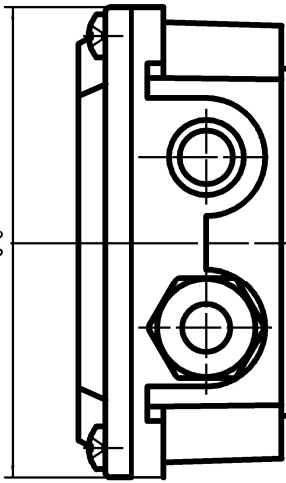


$\phi 9^{+0.007}$   
 $3-0.03$   
 $7.2-0.1$   
 $3-0.03$

88



$\phi 80$

$\phi 50_{-0.005}^{+0.011}$

$2.5-0.1$

$20 \pm 0.26$

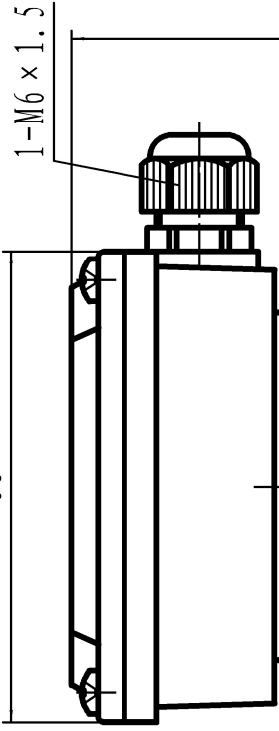
$36 \pm 1.5$

71

(195)

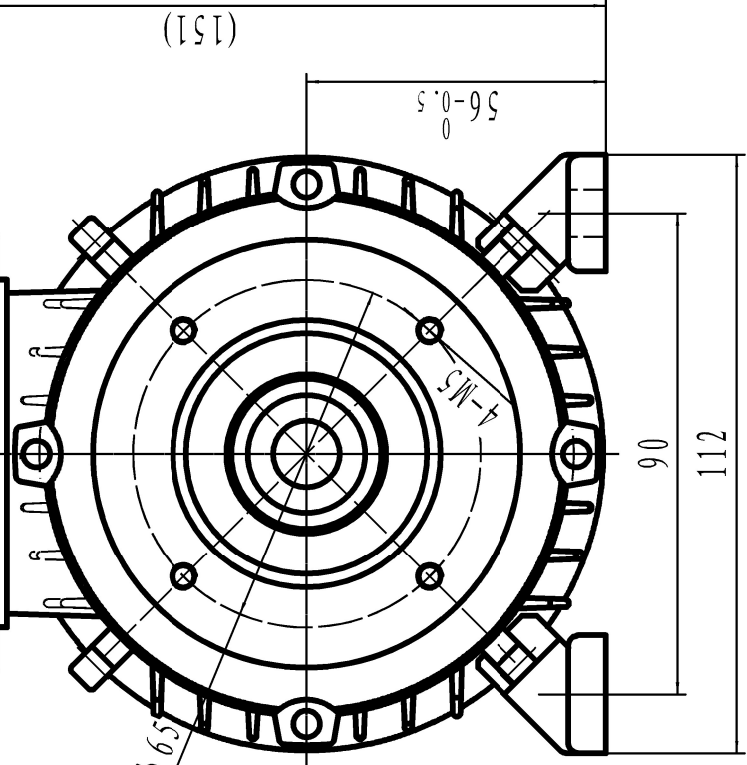
( $\phi 110$ )

88



1-M6 x 1.5

$\phi 65$



(151)

$56-0.5$

4-M5

90

112

TA56 B34

**Felandia**