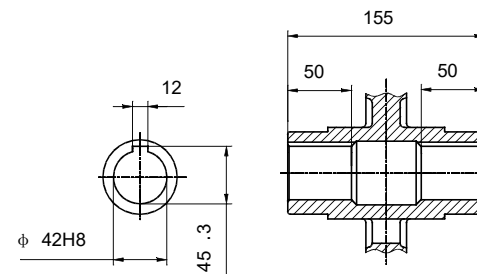
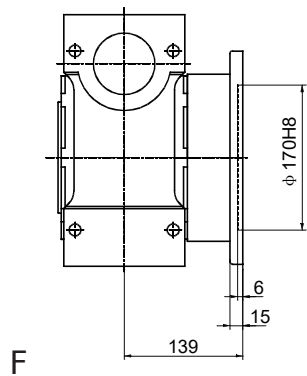
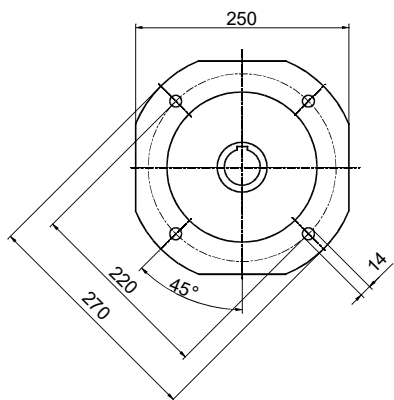
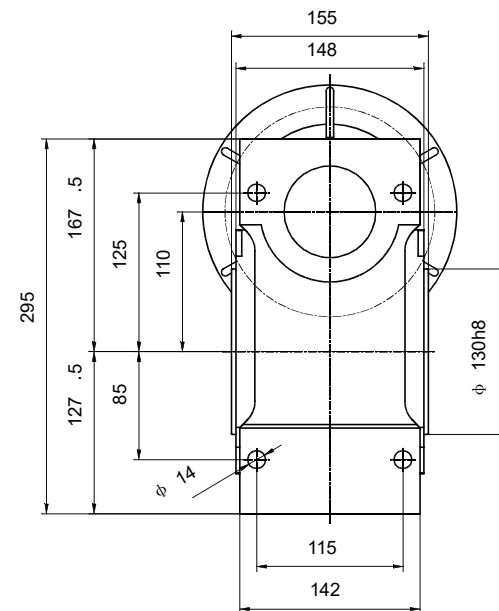
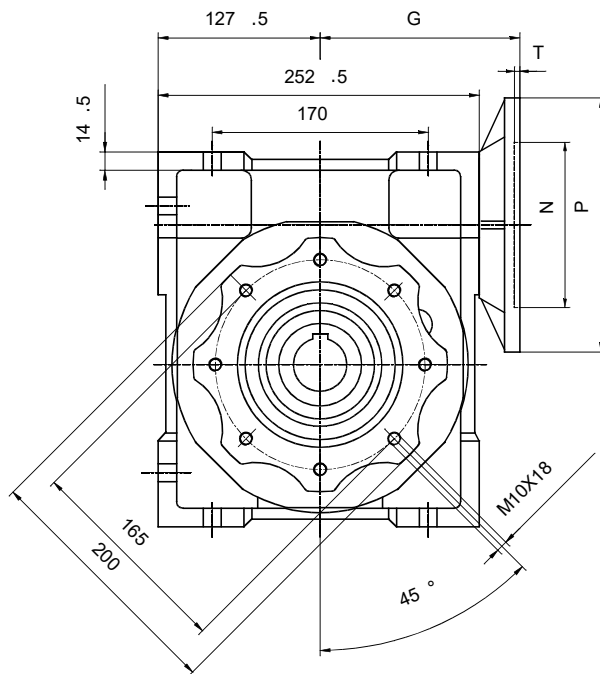
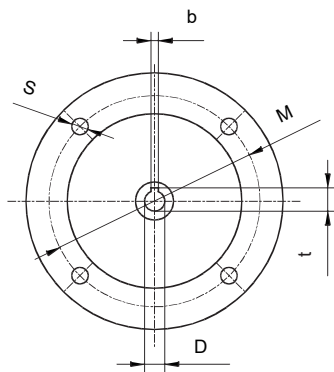




WMRV110



IEC	D _{E8}	b	t	P	M	N	S	T	G
90B5	24	8	27.3	200	165	130	11	4	157
100/112B5	28	8	31.3	250	215	180	13.5	4	155
132B5	38	10	41.3	300	265	230	13.5	4.5	159