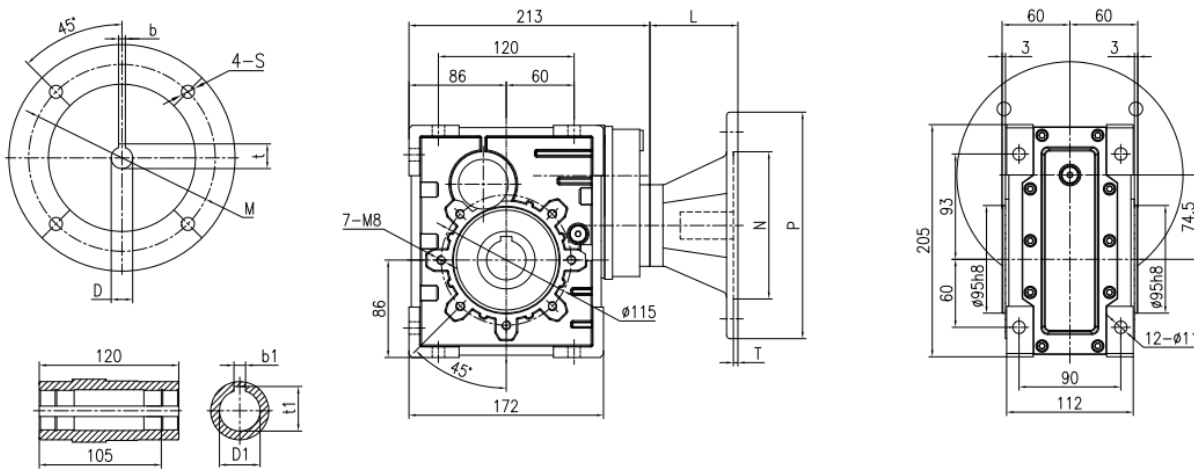




# Hüpoïdreduktor WKM75C

## WKM 75C..



IEC	DE8	b	t	P	M	N	S	T	L	D <sub>1H8</sub>	b <sub>1</sub>	t <sub>1</sub>
63B5	11	4	12.8	140	115	95	9	3.5	53	28	8	31.3
71B5	14	5	16.3	160	130	110	9	4	60	30*	8*	33.3*
80B5	19	6	21.8	200	165	130	11	4	79	35*	10*	38.3*
80B14	19	6	21.8	120	100	80	6.5	3.5	69	* Only on request		
90B5	24	8	27.3	200	165	130	11	4	79			
90B14	24	8	27.3	140	115	95	9	3.5	79			

Weight without motor  
 $\approx 10.9\text{kg}$