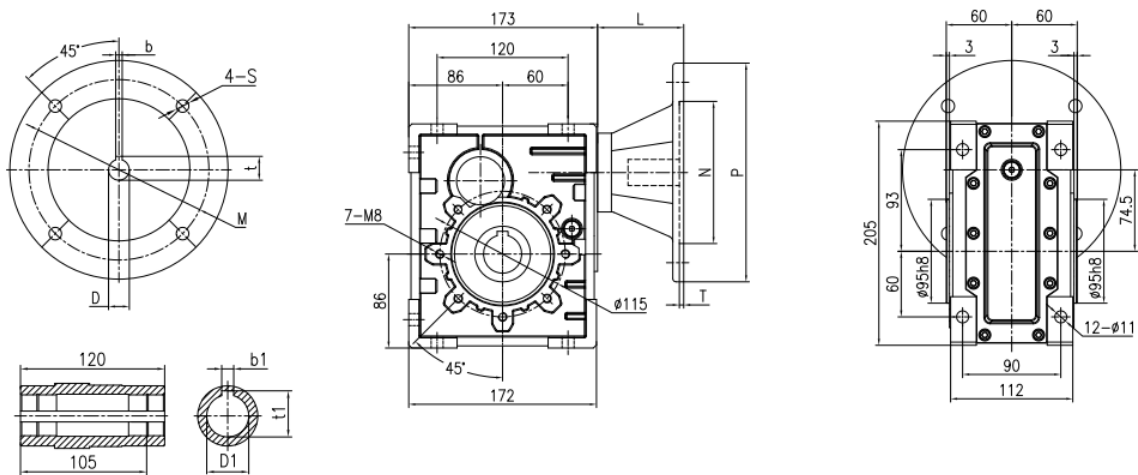




Hüpoïdreduktor WKM75B

WKM 75B..



IEC	DE8	b	t	P	M	N	S	T	L	D _{1H8}	b ₁	t ₁
63B5	11	4	12.8	140	115	95	9	3.5	53	28	8	31.3
71B5	14	5	16.3	160	130	110	9	4	60	30*	8*	33.3*
80B5	19	6	21.8	200	165	130	11	4	79	35*	10*	38.3*
80B14	19	6	21.8	120	100	80	6.5	3.5	69	* Only on request		
90B5	24	8	27.3	200	165	130	11	4	79			
90B14	24	8	27.3	140	115	95	9	3.5	79			
100/112B5	28	8	31.3	250	215	180	13.5	4	89			
100/112B14	28	8	31.3	160	130	110	9	4.5	89			

Weight without motor
≈ 9.5kg