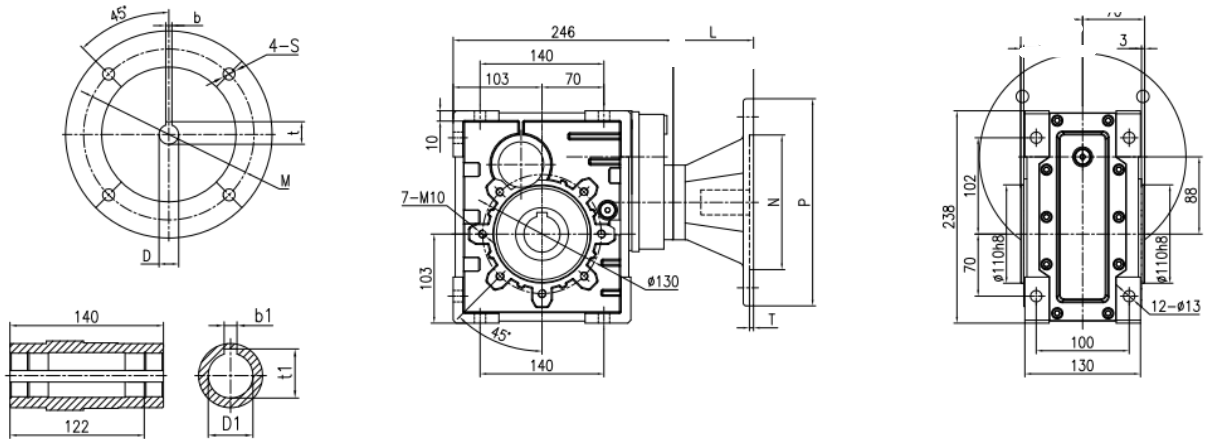




# Hüpoïdreduktor WKM90C

## WKM 90C..



IEC	DE8	b	t	P	M	N	S	T	L	D1H8	b1	t1
63B5	11	4	12.8	140	115	95	9	3.5	53	35	10	38.3
71B5	14	5	16.3	160	130	110	9	4	60	38*	10*	41.3*
80B5	19	6	21.8	200	165	130	11	4	79			
80B14	19	6	21.8	120	100	80	6.5	3.5	69			
90B5	24	8	27.3	200	165	130	11	4	79	* Only on request		
90B14	24	8	27.3	140	115	95	9	3.5	79			

≈ 14.6 kg

Weight without motor  
≈ 14.6 kg