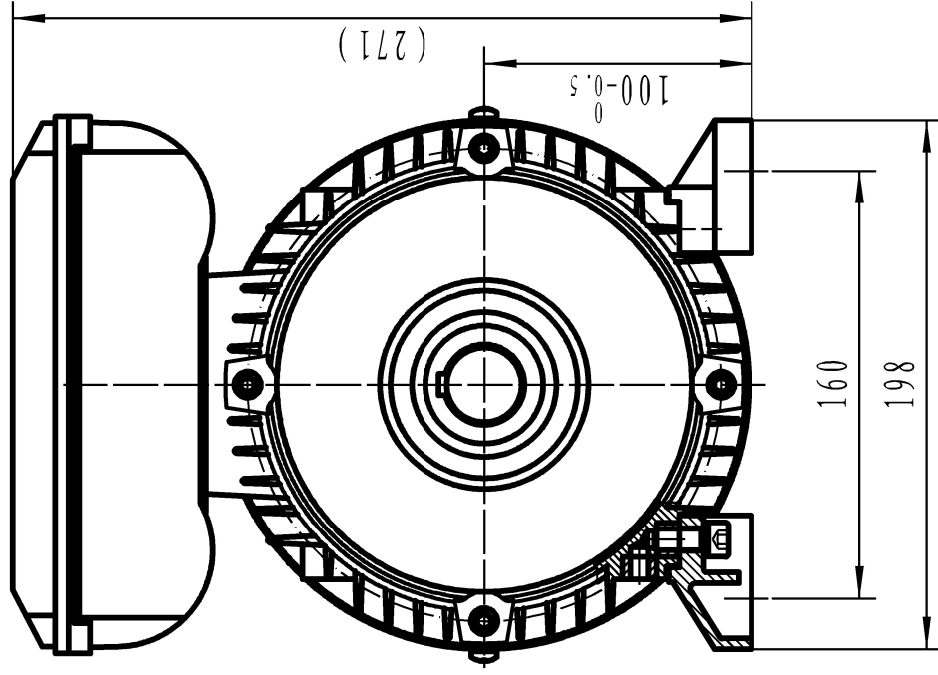
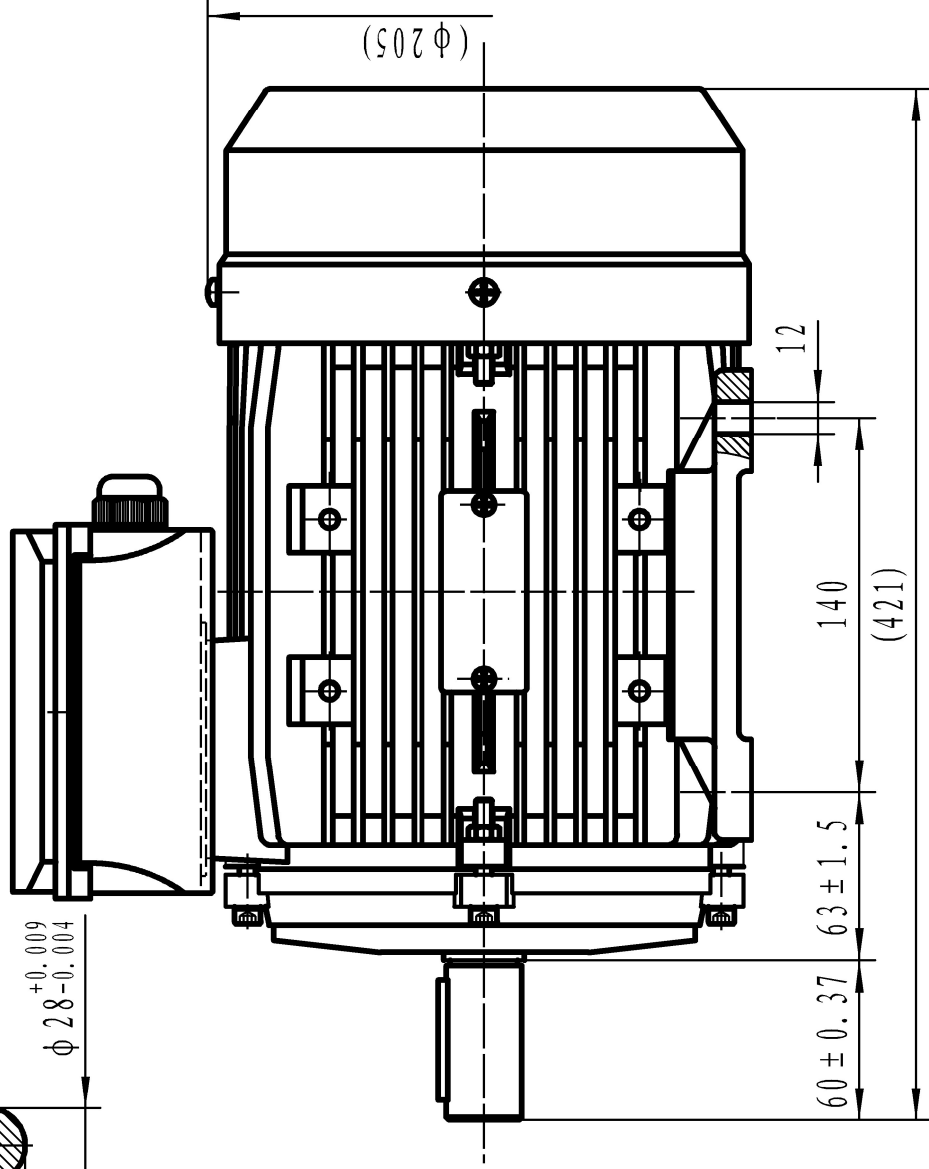


$8 - 0.036$

$\phi 28^{+0.009}_{-0.004}$

$24 - 0.1$



ML100L2 B3

Felandia