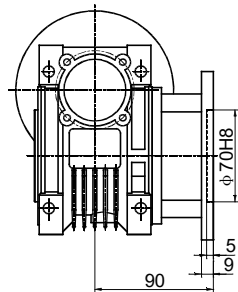
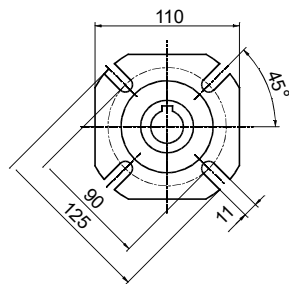
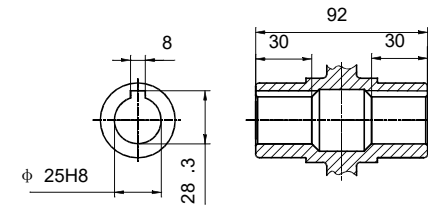
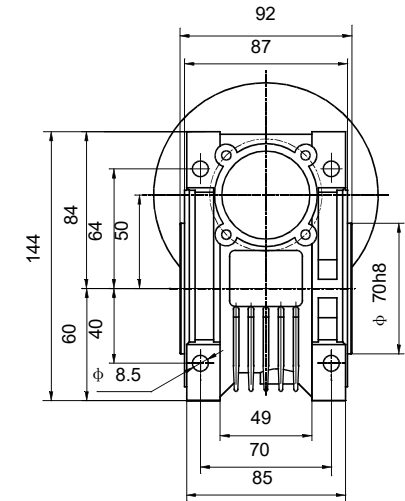
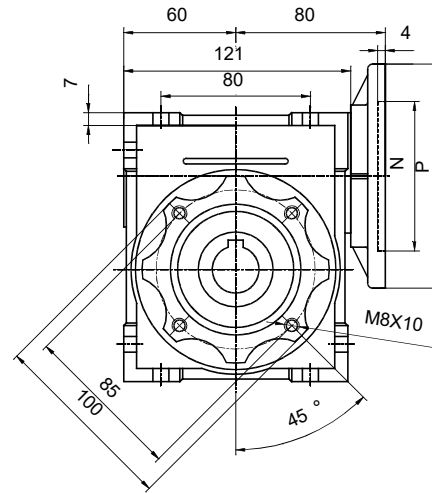
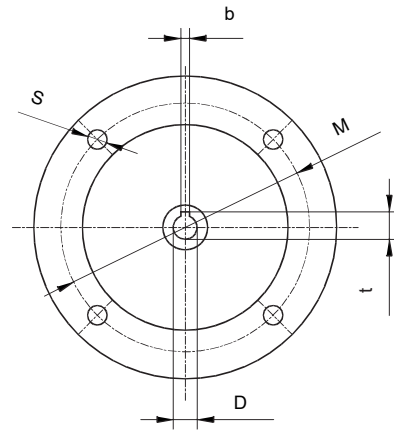
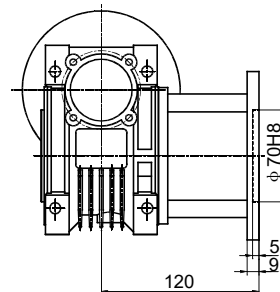




# RV50



F



FL

IEC	D <sub>E8</sub>	b	t	P	M	N	S	T
63B14	11	4	12.8	90	75	60	5.5	3
71B14	14	5	16.3	105	85	70	7	3
80B14	19	6	21.8	120	100	80	7	3.5