



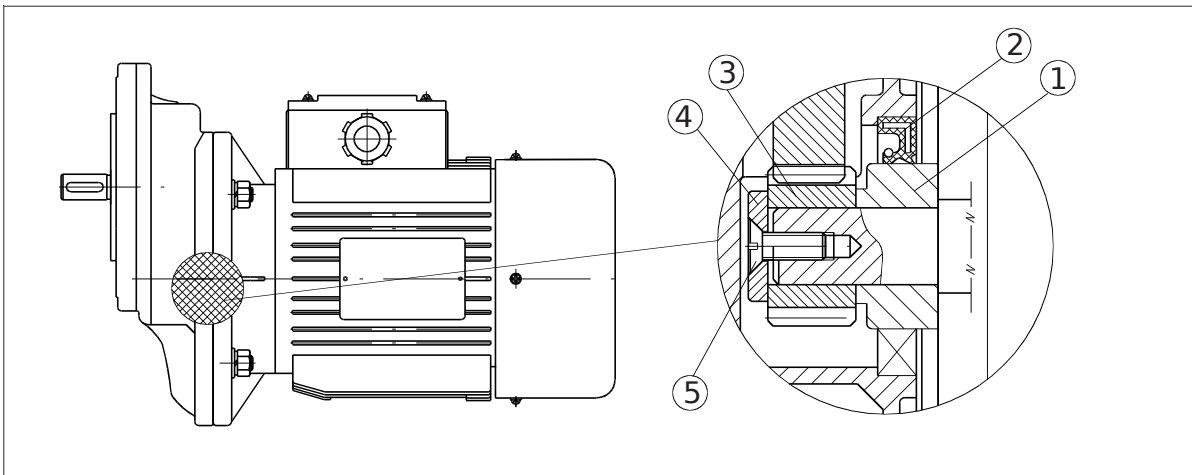
Felandia reducer - PC series

The installation of the motor on PC serial gear reducer:

In order to fix the pinion correctly on motor shaft, please follow the procedures below:

1. Completely clean the output shaft of the motor;
 2. Remove the flat key on the output shaft;
 3. Heat the sleeve(1) up to 100°C~120°C, and fix the sleeve(1) on the output shaft based on the diagram;
 4. Fix the pinion(3) referring to the method of fixing the sleeve(1);
 5. Fix the washer(4), and fasten countersunk head screws(5) (countersunk head screws shall be coated with screw fixing glue in order to prevent looseness);
 6. Because PC speed reducer has been filled with lubricate ,carefully remove the sealing end cover at(2) in the diagram; (This procedure does not exist because PC speed reducer has been provided with a motor when leaving the factory.)
 7. Replace skeleton oil seal and motor at(2) in the diagram, being careful not to damage the skeleton oil seal;
- Note: PC serial speed reducer adopts a standard motor with high quality, and the motor may run with no vibration and low noise.

The installation of the motor on PC serial gear reducer:



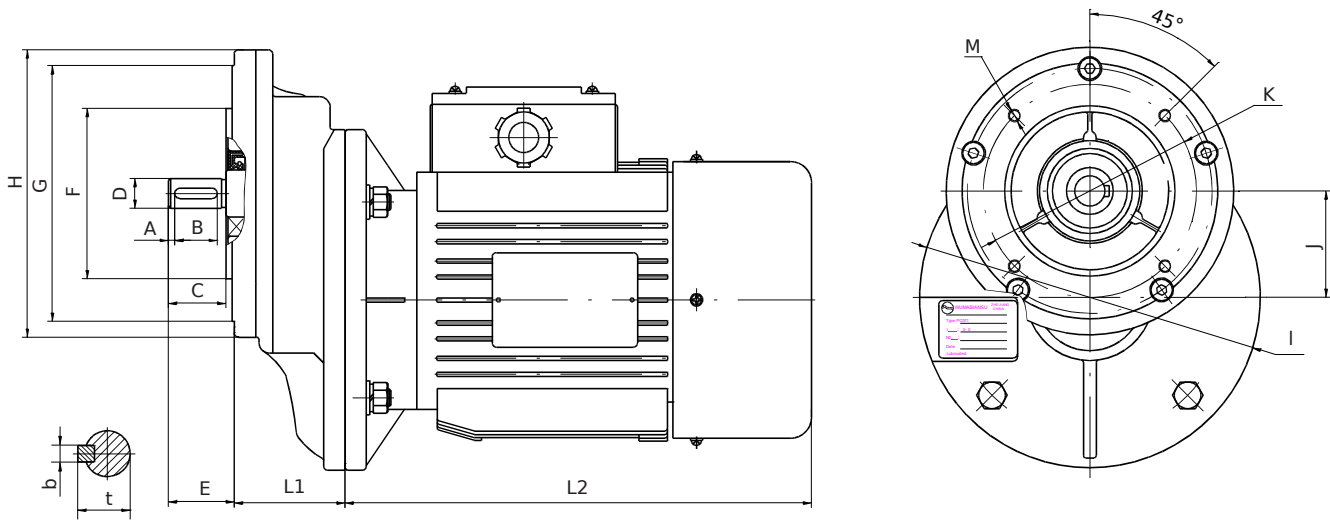
Lubricating oil of the motor on PC serial gear reducer:

- PC serial reducer adopts No.2 extreme pressure lithium lubricating grease(long-term) for lubrication; and the reducer may be fixed according to the position indicated on the specification;
- No.2 extreme pressure lithium lubricating grease adopted on PC serial reducer has the working range from -20°C~+50°C

Type	PC 063	PC 071	PC 080	PC 090
B3、B8 B6、B7 V5、V6	0.05L	0.07L	0.15L	0.15L

Note: The unit of lubricant oil is liter (L).

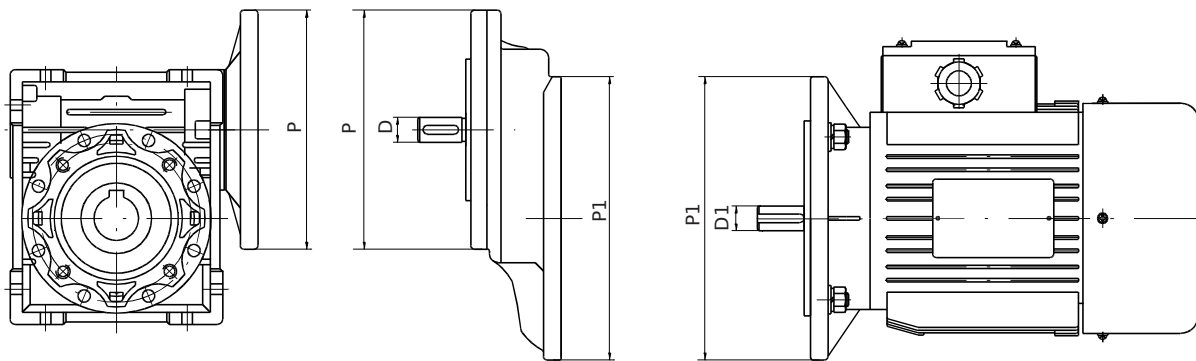
Appearance size of PC serial gear reducer;



Type	A	B	C	D(js6)	b	t	E	F(H8)	G	H	I	J	K	M	L1	L2
PC063	1.5	18	21	11	4	12.5	23	70	105	114	140	40	85	4-M6×10	45	202 (63B5)
	2	20	28	※14	5	16	30									
PC071	3	20	27	14	5	16	30	80	120	135	160	50	100	4-M6×10	53	220 (71B5)
	3	32	37	※19	6	21.5	40									
PC080 PC090	3	32	40	19	6	21.5	40	110	160	200	63	130	4-M8×11	72.5	255 (80B5)	
	4	40	50	※24	8	27	50									
	4	50	60	※28	8	31	60									
	3	32	40	※19	6	21.5	40	110	160	200	63	130	4-M8×11	72.5	265 (90B5) 290 (90LB5)	
	3	40	50	24	8	27	50									
	3	50	60	※28	8	31	60									

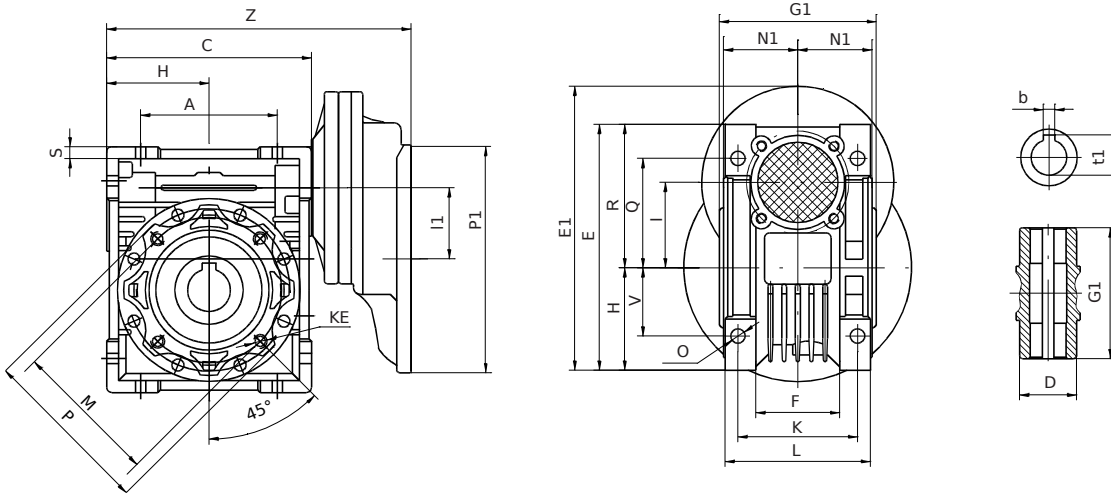
Note: The output shaft's diameter "D(js6)" without "※" shown in the table is standard specification, or the diameter without "※" is non-standard one; the user may select them based on the need

Combined of PC + RV reducer



PC+WMRV		P1/D1 motor type	P/D	(P/D)	Remarks
PC063+	WMRV40	63B5- Φ 140/ Φ 11	Φ 105/ Φ 11	(Φ 105/ Φ 14)	Worm reducer is provided with 71B14 type input flange
	WMRV50				
	WMRV63				
PC071+	WMRV50	71B5- Φ 160/ Φ 14	Φ 120/ Φ 14	(Φ 120/ Φ 19)	Worm reducer is provided with 80B14 type input flange
	WMRV63				
	WMRV75				
	WMRV90				
PC080+	WMRV75	80B5- Φ 200/ Φ 19	Φ 160/ Φ 19	(Φ 160/ Φ 24) (Φ 160/ Φ 28)	Worm reducer is provided with 71B5 type input flange
	WMRV90				
	WMRV110				
	WMRV130				
PC090+	WMRV110	90B5- Φ 200/ Φ 24	Φ 160/ Φ 24	(Φ 160/ Φ 19) (Φ 160/ Φ 28)	Worm reducer is provided with 71B5 type input flange
	WMRV130				

Outline dimension of PC+WMRV combined reducer



PC+WMRV		A	C	D(H7)	t1	b	E	E1	F	G1	H	I	I1	K
PC 063+	WMRV40	70	100	18	20.8	6	121.5	147	43	78	50	40	40	60
	WMRV50	80	120	25	28.3	8	145	167	49	92	60	50	40	70
	WMRV63	100	144	25	28.3	8	174	192	67	112	72	63	40	85
PC 071+	WMRV50	80	120	25	28.3	8	145	177.5	48	92	60	50	50	70
	WMRV63	100	144	25	28.3	8	174	202.5	67	112	72	63	50	85
	WMRV75	120	172	28	31.3	8	205	228.5	72	120	86	75	50	90
	WMRV90	140	206	35	38.3	10	238	260.5	72	140	103	90	50	100
PC 080+	WMRV75	120	172	28	31.3	8	205	241	72	120	86	75	63	90
	WMRV90	140	206	35	38.3	10	238	273	72	140	103	90	63	100
	WMRV110	170	252.5	42	45.3	12	295	317.5		155	127.5	110	63	115
	WMRV130	200	292.5	45	48.8	14	335	357.5		170	147.5	130	63	120
PC 090+	WMRV110	170	252.5	42	45.3	12	295	317.5		155	127.5	110	63	115
	WMRV130	200	292.5	45	48.8	14	335	357.5		170	147.5	130	63	120

PC+WMRV		KE	L	M	N(h8)	N1	O	P	P1	Q	R	V	S	Z
PC 063+	WMRV40	4-M8 \times 8	71	75	60	36.5	6.5	87	140	55	71.5	35	6.5	165
	WMRV50	4-M8 \times 10	85	85	70	43.5	8.5	100	140	64	85	40	7	185.5
	WMRV63	8-M8 \times 14	103	95	80	53	8.5	110	140	80	102	50	8	213.5
PC 071+	WMRV50	4-M8 \times 10	85	85	70	43.5	8.5	100	160	64	85	40	7	202.5
	WMRV63	8-M8 \times 14	103	95	80	53	8.5	110	160	80	102	50	8	221.5
	WMRV75	8-M10 \times 18	113	115	95	57	11	140	160	93	119	60	10	252
	WMRV90	8-M8 \times 14	130	130	110	67	13	160	160	102	135	70	11	286
PC 080+	WMRV75	8-M10 \times 18	113	115	95	57	11	140	200	93	119	60	10	271.5
	WMRV90	8-M10 \times 18	130	130	110	67	13	160	200	102	135	70	11	305.5
	WMRV110	8-M12 \times 21	142	165	130	74	14	200	200	125	167.5	85	15	357
	WMRV130	8-M10 \times 18	155	215	180	81	16	250	200	140	187.5	10	15	397
PC 090+	WMRV110		142	165	130	74	14	200	200	125	167.5	85	15	357
	WMRV130		155	215	180	81	16	250	200	140	187.5	100	15	397